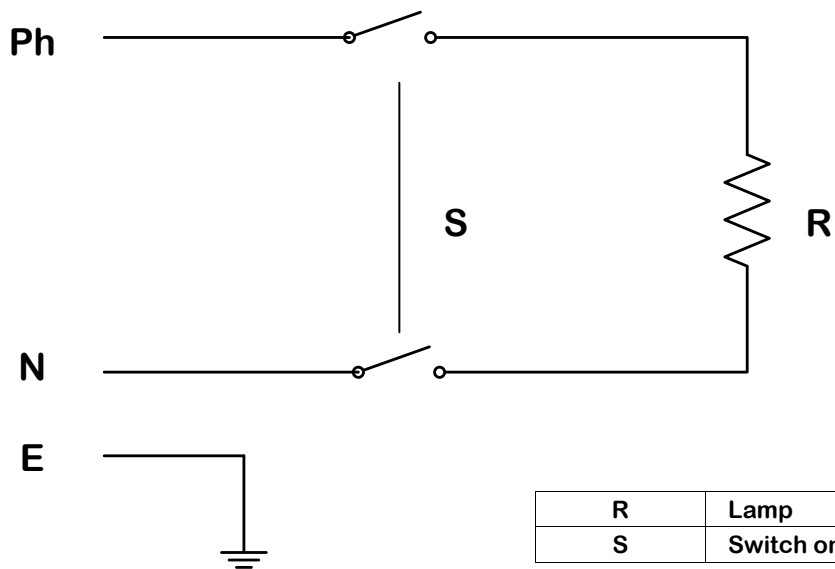


Wiring diagram mod. PLC250



Model: PLC250
Voltage: 230 V 1N~
Tension: 50/60 Hz.
Power: 250 W
Serial Nr:
MADE IN ITALY

CE




Fig.2