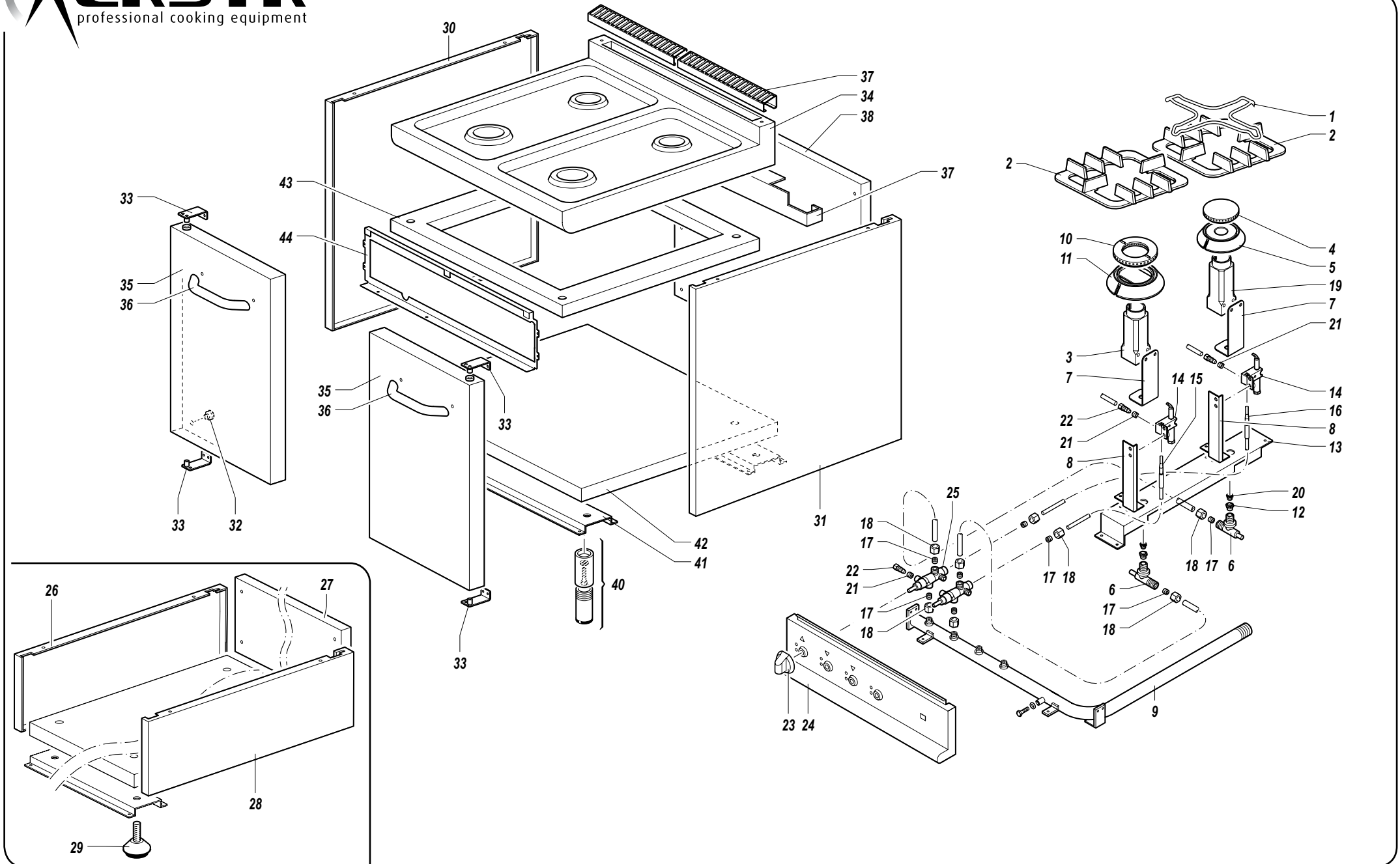
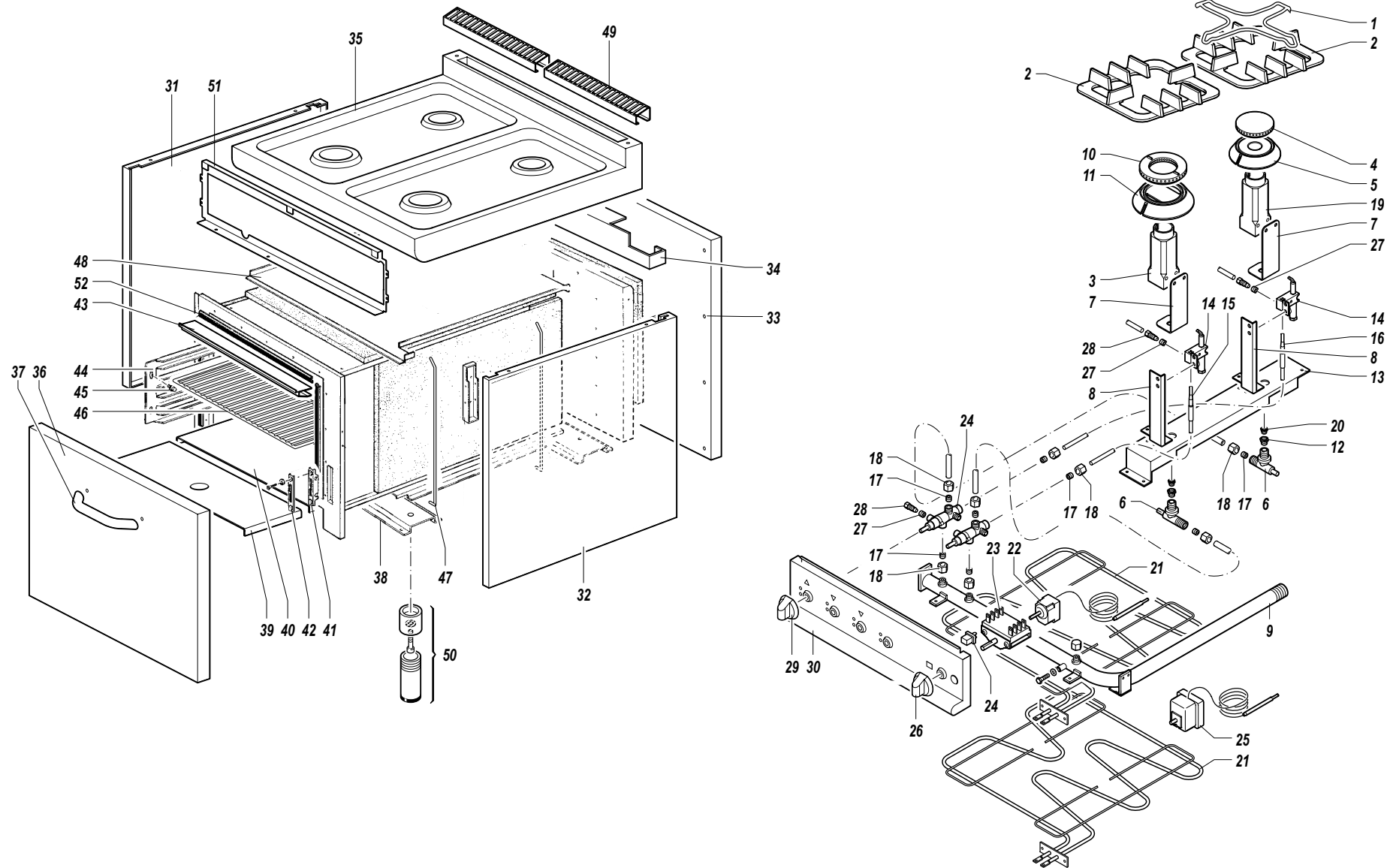


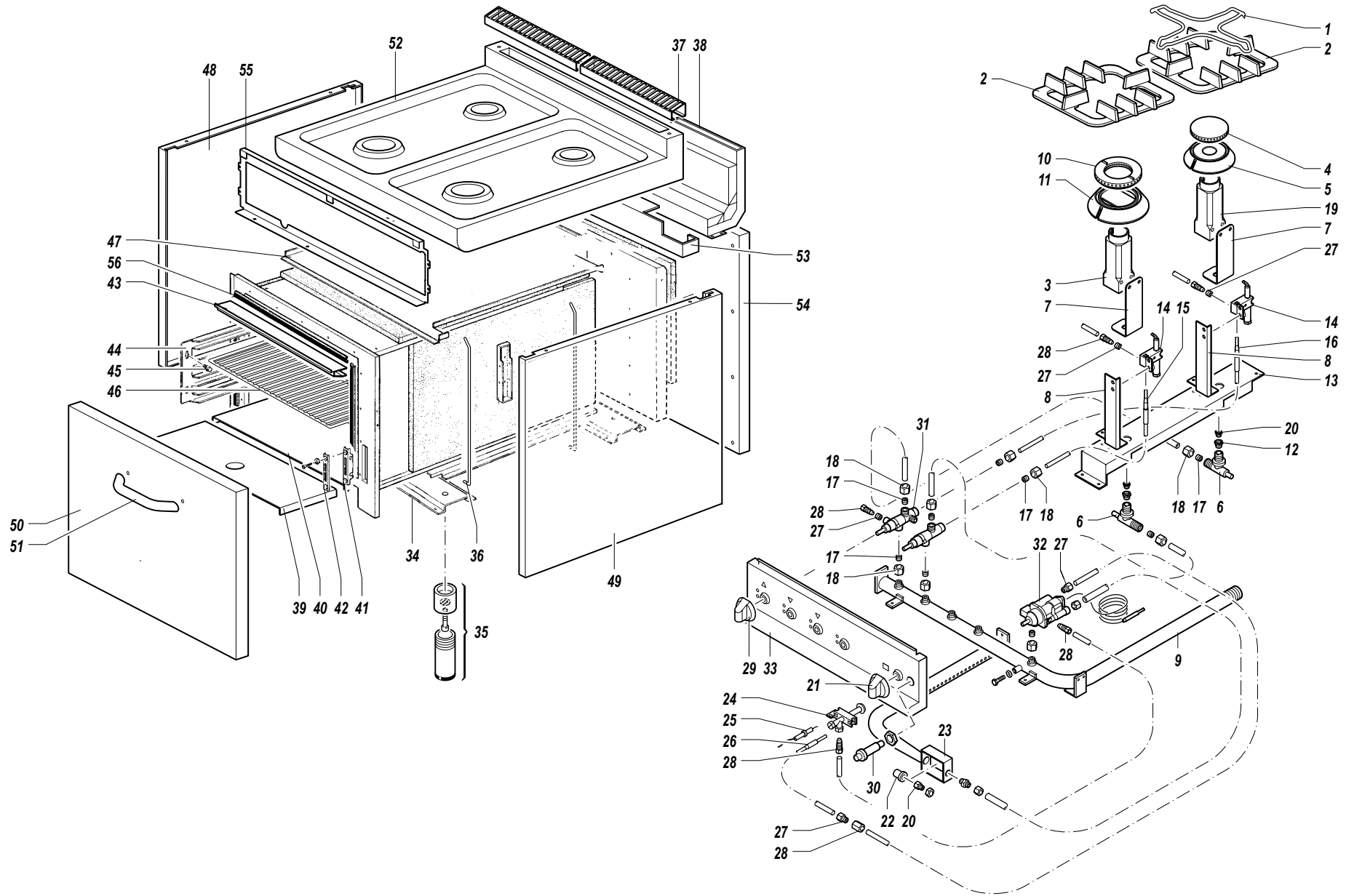
RIF.	CODICE	R.C.	DENOMINAZIONE	DESCRIPTION	BESCHREIBUNG	DESIGNATION	DENOMINACIONES
1	15/99901029	*	GRIGLIA DI RIDUZIONE	REDUCTION GRILL	REDUKTIONGITTER	GRILLE DE REDUCTION	PARRILLA DE REDUCCIÓN
2	01/99600059	*	GRIGLIA 1 FUOCO	GRILL	GITTER	GRILLE	PARRILLA
3	04/99900379	*	VENTURI GRANDE	SUPPORT	LAGER	SUPPORT	SOPORTE
4	04/99900369	*	SPARTIFIAMMA MEDIO	BURNER CAP	BRENNERDECKEL	CHAPEAU BRULEUR	TAPA QUEMADOR
5	04/99900329	*	CORPO BRUCIATORE MEDIO	BURNER BODY	BRENNERKÖRPER	CORPS BRULEUR	CUERPO QUEMADOR
6	13/99901039	*	PORTAUGELLO D=10	NOZZLE HOLDER	DÜSENHALTER	PORTE INJECTEUR	PORTA INYECTOR
7	69/99902459		SQUADRA SUP. BRUCIATORI	SUPPORT	LAGER	SUPPORT	SOPORTE
8	23/99606019		SQUADRA PILOTA	SUPPORT	LAGER	SUPPORT	SOPORTE
9	WD/99600729		RAMPA ALIMENTAZIONE	FEED PIPE	SPEISEROHR	RAMPE ALIMENTATION	RAMPA ALIMENTACIÓN
10	04/99900359	*	SPARTIFIAMMA DOPPIA CORONA	BURNER CAP	BRENNERDECKEL	CHAPEAU BRULEUR	TAPA QUEMADOR
11	04/99900319	*	CORPO BRUCIAT. DOPPIA CORONA	BURNER BODY	BRENNERKÖRPER	CORPS BRULEUR	CUERPO QUEMADOR
12	13/99901049	*	DADO PORTAUGELLO	NUT	MUTTER	ECROU	TUERCA
13	68/99604279		OMEGA PORTA BRUCIATORI	SUPPORT	LAGER	SUPPORT	SOPORTE
14	17/99900499	*	PILOTA 1 FIAMMA	FLAME PILOT	FLAMMENPILOT	VEILLEUSE FEUX	PILOTO FLAMA
15	17/12160039	*	TERMOCOPPIA L=320	THERMOCOUPLE	THERMOELEMENT	THERMOCOUPLE	TERMOPAR
16	17/99900649		TERMOCOPPIA L=600	THERMOCOUPLE	THERMOELEMENT	THERMOCOUPLE	TERMOPAR
17	14/99900049		OGIVA TUBO Ø10	PIPE HUB	ROHRKEGEL	COUDE TUYAU	CODO TUBO
18	13/10030019		DADO PER TUBO Ø10	PIPE NUT	MUTTER ROHR	ECROU TUYAU	TUERCA TUBO
19	04/99900389		VENTURI MEDIO	SUPPORT	LAGER	SUPPORT	SOPORTE
20	99/99907119	*	UGELLO METANO Ø1,55 F.A.	LPG NOZZLE	DÜSE FLÜSSIGGAS	INJECTEUR GAZ LIQUIDE	INYECTOR GAS LÍQUIDO
20	99/99909129	*	UGELLO GPL Ø1.35 F.A.	NATURAL GAS NOZZLE	DÜSE ERDGAS	INJECTEUR GAZ NATUREL	INYECTOR GAS NATURAL
20	99/99909139	*	UGELLO METANO Ø2,00 F.A.	LPG NOZZLE	DÜSE FLÜSSIGGAS	INJECTEUR GAZ LIQUIDE	INYECTOR GAS LÍQUIDO
20	99/99909449	*	UGELLO GPL Ø1.05 F.A.	NATURAL GAS NOZZLE	DÜSE ERDGAS	INJECTEUR GAZ NATUREL	INYECTOR GAS NATURAL
21	16/99600059	*	RUBINETTO VALVOLATO 21S	TAP WTH VALVE	HAHN MIT VENTIL	ROBINET AVEC VANNE	LLAVE CON VÁLVULA
22	WD/99600979		CRUSCOTTO SUPERIORE	UPPER PANEL	OBERES BRETT	TABEAU SUPERIEUR	TABLERO SUPERIOR
23	29/99600319	*	MANOPOLA F.A. NERA	BLACK KNOB	GRIFFSCHWARZ	POIGNEE NOIR	POMO NEGRO
24	14/10030319		DADO PER TUBO Ø6	NUT	MUTTER	ECROU	TUERCA
25	14/10030329		OGIVA TUBO Ø6	PIPE HUB	ROHRKEGEL	COUDE TUYAU	CODO TUBO
26	23/99604560		FIANCO SINISTRO BANCO	TABLE TOP LEFT SIDE	LINKE SEITENWAND TISCH	COTE GAUCHE COMPTOIR	FLANCO IZQUIERDO SOBREMESA
27	23/99600611		SCHIENALE INFERIORE BANCO	TABLE TOP BOTTOM REAR SIDE	UNTERES RÜCKENTEIL TISCH	DOS INFÉRIEUR COMPTOIR	PANEL TRASERO INFERIOR SOBREMESA
28	23/99604550		FIANCO DESTRO BANCO	TABLE TOP RIGHT SIDE	RECHTE SEITENWAND TISCH	COTE DROIT COMPTOIR	FLANCO DERECHO SOBREMESA
29	15/99600160		PIEDINO REGOLABILE BANCO	TABLE TOP ADJUSTABLE FOOT	EINSTELLBARER FUSS TISCH	PIE REGLABLE COMPTOIR	PIE REGULABLE SOBREMESA
30	23/99600370		FIANCO SINISTRO	LEFT SIDE	SEITENWAND LINKS	COTE GAUCHE	FLANCO IZQUIERDO
31	23/99600360		FIANCO DESTRO	RIGHT SIDE	SEITENWAND RECHTS	COTE DROIT	FLANCO DERECHO
32	15/99900199		MAGNETE PORTE	DOOR MAGNET	TÜR MAGNET	AIMANT PORTE	IMÁN PUERTA
33	23/99600400		CERNIERA PORTA	HINGE	SCHARNIER	CHARNIERE	BISAGRA
34	WD/99603839		PIANO SUPERIORE	TOP	OBERE PLATTE	PLATEAU	PLANO SUPERIOR
35	WP/99600060		PORTA	DOOR	TÜR	PORTE	PUERTA
36	15/99900499		MANIGLIA PORTA ARMADIO	HANDLE	HANDGRIFF	POIGNEE	MANIJA
37	23/99600620		SUPPORTO POST BRU. EURASIA	SUPPORT	LAGER	SUPPORT	SOPORTE



RIF.	CODICE	R.C.	DENOMINAZIONE	DESCRIPTION	BESCHREIBUNG	DESIGNATION	DENOMINAZIONES
1	15/99901029	*	GRIGLIA DI RIDUZIONE	REDUCTION GRILL	REDUKTIONGITTER	GRILLE DE REDUCTION	PARRILLA DE REDUCCIÓN
2	01/99600059	*	GRIGLIA 1 FUOCO	GRILL	GITTER	GRILLE	PARRILLA
3	04/99900379	*	VENTURI GRANDE	SUPPORT	LAGER	SUPPORT	SOPORTE
4	04/99900369	*	SPARTIFIAMMA MEDIO	BURNER CAP	BRENNERDECKEL	CHAPEAU BRULEUR	TAPA QUEMADOR
5	04/99900329	*	CORPO BRUCIATORE MEDIO	BURNER BODY	BRENNERKÖRPER	CORPS BRULEUR	CUERPO QUEMADOR
6	13/99901039	*	PORTAUGELLO Ø10	NOZZLE HOLDER	DÜSENHALTER	PORTE INJECTEUR	PORTA INYECTOR
7	69/99902459		SQUADRA SUP. BRUCIATORI	SUPPORT	LAGER	SUPPORT	SOPORTE
8	23/99606019		SQUADRA PILOTA.	SUPPORT	LAGER	SUPPORT	SOPORTE
9	WD/99602079		RAMPA ALIMENTAZIONE	FEED PIPE	SPEISEROHR	RAMPE ALIMENTATION	RAMPA ALIMENTACIÓN
10	04/99900359	*	SPARTIFIAMMA DOPPIA CORONA	BURNER CAP	BRENNERDECKEL	CHAPEAU BRULEUR	TAPA QUEMADOR
11	04/99900319	*	CORPO BRUCIAT. DOPPIA CORONA	BURNER BODY	BRENNERKÖRPER	CORPS BRULEUR	CUERPO QUEMADOR
12	13/99901049	*	DADO PORTAUGELLO	NUT	MUTTER	ECROU	TUERCA
13	68/99604279		OMEGA PORTA BRUCIATORI	SUPPORT	LAGER	SUPPORT	SOPORTE
14	17/99900499	*	PILOTA 1 FIAMMA	FLAME PILOT	FLAMMENPILOT	VEILLEUSE FEUX	PILOTO FLAMA
15	17/12160039	*	TERMOCOPPIA L=320	THERMOCOUPLE	THERMOELEMENT	THERMOCOUPLE	TERMOPAR
16	17/99900649	*	TERMOCOPPIA L=600	THERMOCOUPLE	THERMOELEMENT	THERMOCOUPLE	TERMOPAR
17	14/99900049		OGIVA TUBO Ø10	PIPE HUB	ROHRKEGEL	COUDE TUYAU	CODO TUBO
18	13/10030019		DADO PER TUBO Ø10	PIPE NUT	MUTTER ROHR	ECROU TUYAU	TUERCA TUBO
19	04/99900389		VENTURI MEDIO	SUPPORT	LAGER	SUPPORT	SOPORTE
20	99/99907119	*	UGELLO METANO Ø1,55 F.A.	LPG NOZZLE	DÜSE FLÜSSIGGAS	INJECTEUR GAZ LIQUIDE	INYECTOR GAS LÍQUIDO
20	99/99909129	*	UGELLO GPL Ø1.35 F.A.	NATURAL GAS NOZZLE	DÜSE ERDGAS	INJECTEUR GAZ NATUREL	INYECTOR GAS NATURAL
20	99/99909139	*	UGELLO METANO Ø2,00 F.A.	LPG NOZZLE	DÜSE FLÜSSIGGAS	INJECTEUR GAZ LIQUIDE	INYECTOR GAS LÍQUIDO
20	99/99909449	*	UGELLO GPL Ø1.05 F.A.	NATURAL GAS NOZZLE	DÜSE ERDGAS	INJECTEUR GAZ NATUREL	INYECTOR GAS NATURAL
21	14/10030329		OGIVA TUBO Ø6	PIPE HUB	ROHRKEGEL	COUDE TUYAU	CODO TUBO
22	14/10030319		DADO PER TUBO Ø6	NUT	MUTTER	ECROU	TUERCA
23	29/99600319	*	MANOPOLA F.A. NERA	BLACK KNOB	GRIFFSCHWARZ	POIGNEE NOIR	POMO NEGRO
24	WD/99600989		CRUSCOTTO SUPERIORE	UPPER PANEL	OBERES BRETT	TABLEAU SUPERIEUR	TABLERO SUPERIOR
25	16/99600059	*	RUBINETTO VALVOLATO 21S	TAP WTH VALVE	HAHN MIT VENTIL	ROBINET AVEC VANNE	LLAVE CON VÁLVULA
26	23/99604560		FIANCO SINISTRO BANCO	TABLE TOP LEFT SIDE	LINKE SEITENWAND TISCH	COTE GAUCHE COMPTOIR	FLANCO IZQUIERDO SOBREMESA
27	23/99605200		SCHIENALE INFERIORE BANCO	TABLE TOP BOTTOM REAR SIDE	UNTERES RÜCKENTEIL TISCH	DOS INFÉRIEUR COMPTOIR	PANEL TRASERO INFERIOR SOBREMESA
28	23/99604550		FIANCO DESTRO BANCO	TABLE TOP RIGHT SIDE	RECHTE SEITENWAND TISCH	COTE DROIT COMPTOIR	FLANCO DERECHO SOBREMESA
29	15/99600159		PIEDINO REGOLABILE BANCO	TABLE TOP ADJUSTABLE FOOT	EINSTELLBARER FUSS TISCH	PIE REGLABLE COMPTOIR	PIE REGULABLE SOBREMESA
30	23/99600370		FIANCO SINISTRO	LEFT SIDE	SEITENWAND LINKS	COTE GAUCHE	FLANCO IZQUIERDO
31	23/99600360		FIANCO DESTRO	RIGHT SIDE	SEITENWAND RECHTS	COTE DROIT	FLANCO DERECHO
32	15/99900199		MAGNETE PORTE	DOOR MAGNET	TÜR MAGNET	AIMANT PORTE	IMÁN PUERTA
33	23/99600400		CERNIERA PORTA	HINGE	SCHARNIER	CHARNIERE	BISAGRA
34	WD/99603849		PIANO SUPERIORE	TOP	OBERE PLATTE	PLATEAU	PLANO SUPERIOR
35	WP/99600060		PORTA	DOOR	TÜR	PORTE	PUERTA
36	15/99900499		MANIGLIA PORTA ARMADIO	HANDLE	HANDGRIFF	POIGNEE	MANIJA
37	23/99600520		SUPPORTO BRUC. EURASIA	SUPPORT	LAGER	SUPPORT	SOPORTE

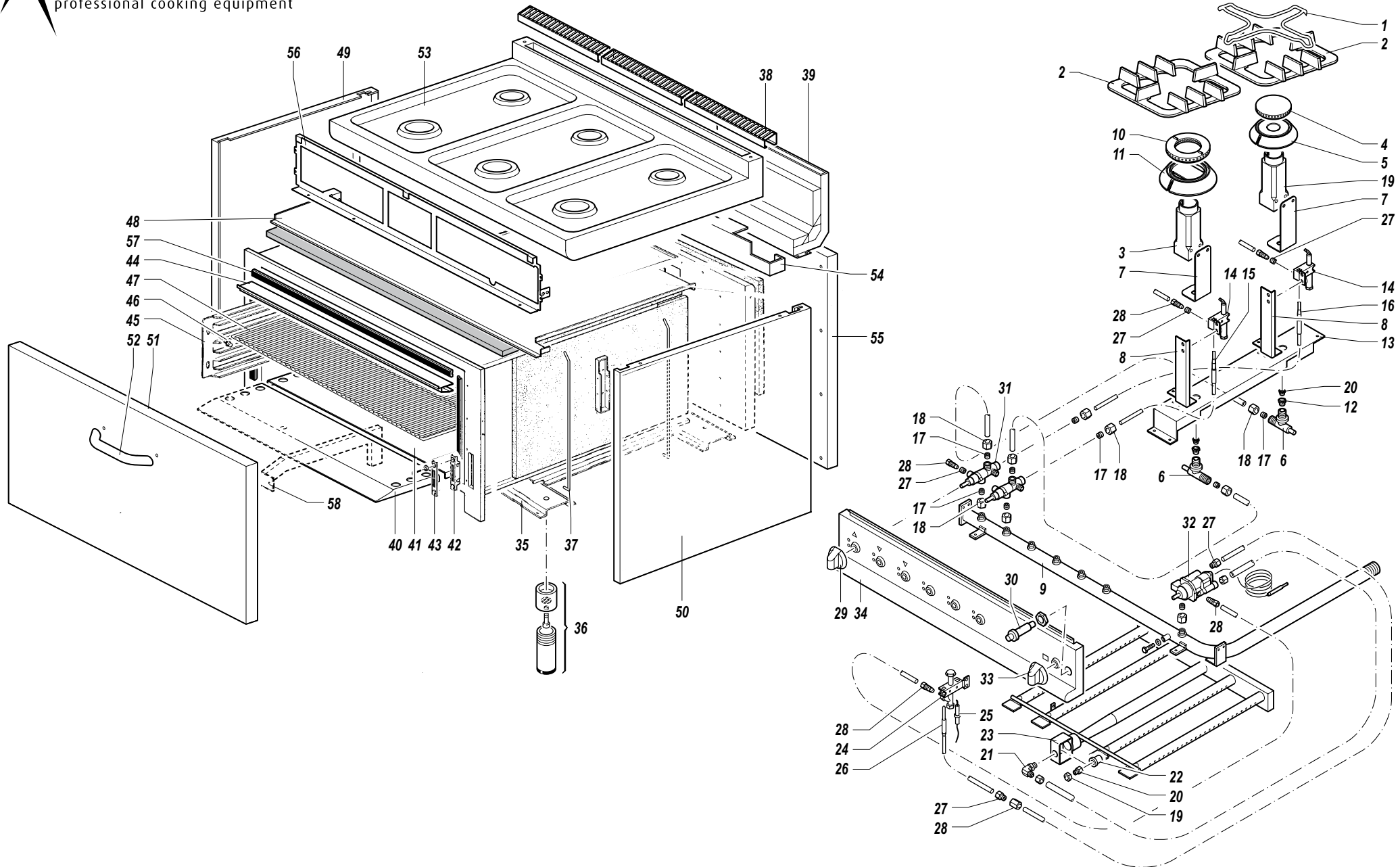


RIF.	CODICE	R.C.	DENOMINAZIONE	DESCRIPTION	BESCHREIBUNG	DESIGNATION	DENOMINACIONES
1	15/99901029	*	GRIGLIA DI RIDUZIONE	REDUCTION GRILL	REDUKTIONGITTER	GRILLE DE REDUCTION	PARRILLA DE REDUCCIÓN
2	01/99600059	*	GRIGLIA 1 FUOCO	GRILL	GITTER	GRILLE	PARRILLA
3	04/99900379	*	VENTURI GRANDE	SUPPORT	LAGER	SUPPORT	SOPORTE
4	04/99900369	*	SPARTIFIAMMA MEDIO	BURNER CAP	BRENNERDECKEL	CHAPEAU BRULEUR	TAPA QUEMADOR
5	04/99900329	*	CORPO BRUCIATORE MEDIO	BURNER BODY	BRENNERKÖRPER	CORPS BRULEUR	CUERPO QUEMADOR
6	13/99901039	*	PORTAUGELLO D=10	NOZZLE HOLDER	DÜSENHALTER	PORTE INJECTEUR	PORTA INYECTOR
7	69/99902459		SQUADRA SUP. BRUCIATORI	SUPPORT	LAGER	SUPPORT	SOPORTE
8	23/99606019		SQUADRA PILOTA	SUPPORT	LAGER	SUPPORT	SOPORTE
9	WD/99602079		RAMPA ALIMENTAZIONE	FEED PIPE	SPEISEROHR	RAMPE ALIMENTATION	RAMPA ALIMENTACIÓN
10	04/99900359	*	SPARTIFIAMMA DOPPIA CORONA	BURNER CAP	BRENNERDECKEL	CHAPEAU BRULEUR	TAPA QUEMADOR
11	04/99900319	*	CORPO BRUCIAT. DOPPIA CORONA	BURNER BODY	BRENNERKÖRPER	CORPS BRULEUR	CUERPO QUEMADOR
12	13/99901049	*	DADO PORTAUGELLO	NUT	MUTTER	ECROU	TUERCA
13	68/99604279		OMEGA PORTA BRUCIATORI	SUPPORT	LAGER	SUPPORT	SOPORTE
14	17/99900499	*	PILOTA 1 FIAMMA	FLAME PILOT	FLAMMENPILOT	VEILLEUSE FEUX	PILOTO FLAMA
15	17/12160039	*	TERMOCOPPIA L=320	THERMOCOUPLE	THERMOELEMENT	THERMOCOUPLE	TERMOPAR
16	17/99900649		TERMOCOPPIA L=600	THERMOCOUPLE	THERMOELEMENT	THERMOCOUPLE	TERMOPAR
17	14/99900049		OGIVA TUBO Ø10	PIPE HUB	ROHRKEGEL	COUDE TUYAU	CODO TUBO
18	13/10030019		DADO PER TUBO Ø10	PIPE NUT	MUTTER ROHR	ECROU TUYAU	TUERCA TUBO
19	04/99900389		VENTURI MEDIO	SUPPORT	LAGER	SUPPORT	SOPORTE
20	99/99907119	*	UGELLO METANO Ø1,55 F.A.	LPG NOZZLE	DÜSE FLÜSSIGGAS	INJECTEUR GAZ LIQUIDE	INYECTOR GAS LÍQUIDO
20	99/99909129	*	UGELLO GPL Ø1.35 F.A.	NATURAL GAS NOZZLE	DÜSE ERDGAS	INJECTEUR GAZ NATUREL	INYECTOR GAS NATURAL
20	99/99909139	*	UGELLO METANO Ø2,00 F.A.	LPG NOZZLE	DÜSE FLÜSSIGGAS	INJECTEUR GAZ LIQUIDE	INYECTOR GAS LÍQUIDO
20	99/99909449	*	UGELLO GPL Ø1.05 F.A.	NATURAL GAS NOZZLE	DÜSE ERDGAS	INJECTEUR GAZ NATUREL	INYECTOR GAS NATURAL
21	07/99600019		RESISTENZA FORNO	RESISTOR	RESISTOR	RESISTANCE	RESISTOR
22	08/99900179	*	TERMOSTATO LAVORO FORNO	OVEN WORK THERMOSTAT	THERMOSTAT BETRIEB OFEN	THERMOSTAT TRAVAIL FOUR	TERMOSTATO DE TRABAJO HORNO
23	09/16520139	*	COMMUTATORE FORNO	OVEN SELECTOR SWITCH	UMSCHALTER OFEN	COMMUTATEUR FOUR	CONMUTADOR HORNO
24	16/99600059	*	RUBINETTO VALVOLATO 21S	TAP WTH VALVE	HAHN MIT VENTIL	ROBINET AVEC VANNE	LLAVE CON VÁLVULA
25	08/85900019	*	TERMOSTATO DI SICUREZZA FORNO	OVEN SAFETY THERMOSTAT	SICHERHEITSTHERMOSTAT OFEN	THERMOSTAT SECURITE FOUR	TERMOSTATO DE SEGURIDAD HORNO
26	29/99600329	*	MANOPOLA FORNO	OVEN KNOB	DREHKNOPF OFEN	POIGNEE FOUR	POMO HORNO
26	29/99600022		MANOPOLA COMMUTATORE 0 3	0 3 SWITCH KNOB	DREHKNOPF UMSCHALTER 0 3	POIGNEE COMMUTATEUR 0 3	POMO CONMUTADOR 0 3
27	14/10030329		OGIVA TUBO Ø6	PIPE HUB	ROHRKEGEL	COUDE TUYAU	CODO TUBO
28	14/10030319		DADO PER TUBO Ø6	NUT	MUTTER	ECROU	TUERCA
29	29/99600319	*	MANOPOLA F.A. NERA	BLACK KNOB	GRIFFSCHWARZ	POIGNEE NOIR	POMO NEGRO
30	WD/99600099		CRUSCOTTO SUPERIORE	UPPER PANEL	OBERES BRETT	TABEAU SUPERIEUR	TABLERO SUPERIOR
31	23/99600371		FIANCO SINISTRO	LEFT SIDE	SEITENWAND LINKS	COTE GAUCHE	FLANCO IZQUIERDO
32	23/99600361		FIANCO DESTRO	RIGHT SIDE	SEITENWAND RECHTS	COTE DROIT	FLANCO DERECHO
33	23/99600550		SCHIENALE INFERIORE	REAR SIDE	RÜCKWAND	DOS	PANEL TRASERO
34	68/99601079		SUPPORTO	SUPPORT	LAGER	SUPPORT	SOPORTE
35	WD/99603849		PIANO SUPERIORE	TOP	OBERE PLATTE	PLATEAU	PLANO SUPERIOR
36	WP/99600009		PORTA ESTERNA FORNO	OVEN OUTER DOOR	OFENTÜR AUSSEN	PORTE EXTERNE FOUR	PUERTA EXTERNA HORNO

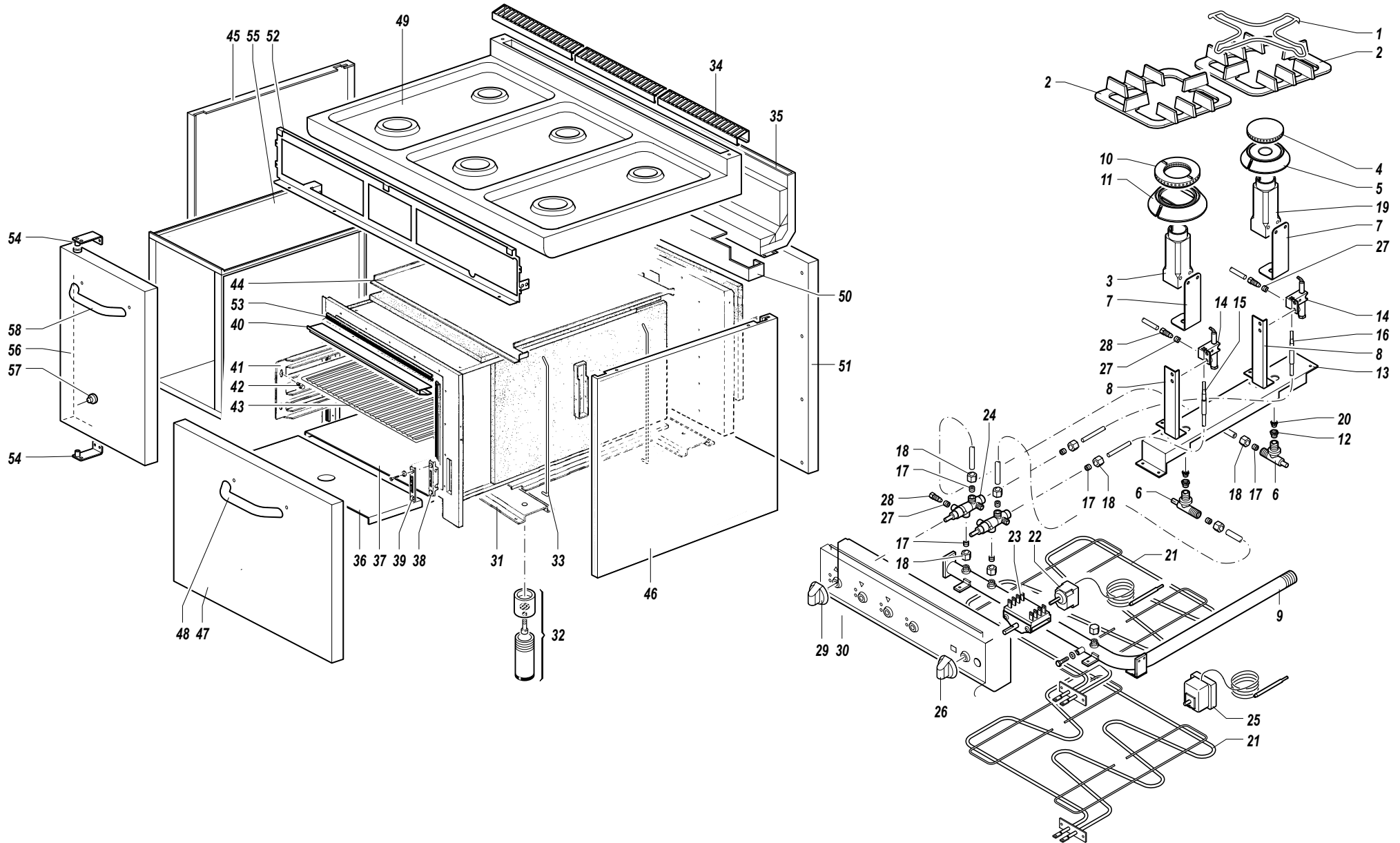


RIF.	CODICE	R.C.	DENOMINAZIONE	DESCRIPTION	BESCHREIBUNG	DESIGNATION	DENOMINACIONES
1	15/99901029	*	GRIGLIA DI RIDUZIONE	REDUCTION GRILL	REDUKTIONGITTER	GRILLE DE REDUCTION	PARRILLA DE REDUCCIÓN
2	01/99600059	*	GRIGLIA 1 FUOCO	GRILL	GITTER	GRILLE	PARRILLA
3	04/99900379	*	VENTURI GRANDE	SUPPORT	LAGER	SUPPORT	SOPORTE
4	04/99900369	*	SPARTIFIAMMA MEDIO	BURNER CAP	BRENNERDECKEL	CHAPEAU BRULEUR	TAPA QUEMADOR
5	04/99900329	*	CORPO BRUCIATORE MEDIO	BURNER BODY	BRENNERKÖRPER	CORPS BRULEUR	CUERPO QUEMADOR
6	13/99901039	*	PORTAUGELLO D=10	NOZZLE HOLDER	DÜSENHALTER	PORTE INJECTEUR	PORTA INYECTOR
7	69/99902459		SQUADRA SUP. BRUCIATORI	SUPPORT	LAGER	SUPPORT	SOPORTE
8	23/99606019		SQUADRA PILOTA	SUPPORT	LAGER	SUPPORT	SOPORTE
9	WD/99602079		RAMPA ALIMENTAZIONE	FEED PIPE	SPEISEROHR	RAMPE ALIMENTATION	RAMPA ALIMENTACIÓN
10	04/99900359	*	SPARTIFIAMMA DOPPIA CORONA	BURNER CAP	BRENNERDECKEL	CHAPEAU BRULEUR	TAPA QUEMADOR
11	04/99900319	*	CORPO BRUCIAT. DOPPIA CORONA	BURNER BODY	BRENNERKÖRPER	CORPS BRULEUR	CUERPO QUEMADOR
12	13/99901049	*	DADO PORTAUGELLO	NUT	MUTTER	ECROU	TUERCA
13	68/99604279		OMEGA PORTA BRUCIATORI	SUPPORT	LAGER	SUPPORT	SOPORTE
14	17/99900499	*	PILOTA 1 FIAMMA	FLAME PILOT	FLAMMENPILOT	VEILLEUSE FEUX	PILOTO FLAMA
15	17/12160039	*	TERMOCOPPIA L=320	THERMOCOUPLE	THERMOELEMENT	THERMOCOUPLE	TERMOPAR
16	17/99900649		TERMOCOPPIA L=600	THERMOCOUPLE	THERMOELEMENT	THERMOCOUPLE	TERMOPAR
17	14/99900049		OGIVA TUBO Ø10	PIPE HUB	ROHRKEGEL	COUDE TUYAU	CODO TUBO
18	13/10030019		DADO PER TUBO Ø10	PIPE NUT	MUTTER ROHR	ECROU TUYAU	TUERCA TUBO
19	04/99900389		VENTURI MEDIO	SUPPORT	LAGER	SUPPORT	SOPORTE
20	99/99907119	*	UGELLO METANO Ø1,55 F.A.	LPG NOZZLE	DÜSE FLÜSSIGGAS	INJECTEUR GAZ LIQUIDE	INYECTOR GAS LÍQUIDO
20	99/99909129	*	UGELLO GPL Ø1.35 F.A.	NATURAL GAS NOZZLE	DÜSE ERDGAS	INJECTEUR GAZ NATUREL	INYECTOR GAS NATURAL
20	99/99909139	*	UGELLO METANO Ø2,00 F.A.	LPG NOZZLE	DÜSE FLÜSSIGGAS	INJECTEUR GAZ LIQUIDE	INYECTOR GAS LÍQUIDO
20	99/99909449	*	UGELLO GPL Ø1.05 F.A.	NATURAL GAS NOZZLE	DÜSE ERDGAS	INJECTEUR GAZ NATUREL	INYECTOR GAS NATURAL
20	99/99907009	*	UGELLO GPL Ø1.45 BRUCIAT. FORNO	LPG NOZZLE	DÜSE FLÜSSIGGAS	INJECTEUR GAZ LIQUIDE	INYECTOR GAS LÍQUIDO
20	99/99907109	*	UGELLO METANO Ø2.10 BRUC. FORNO	NATURAL GAS NOZZLE	DÜSE ERDGAS	INJECTEUR GAZ NATUREL	INYECTOR GAS NATURAL
21	29/99600329	*	MANOPOLA TERMOSTATATA NERA	BLACK KNOB	GRIFFSCHWARZ	POIGNEE NOIR	POMO NEGRO
22	14/99900809		REGISTRO ARIA	AIR REGULATOR	LUFTREGLER	REGULATEUR AIR	REGULADOR AIRE
23	20/99600019	*	BRUCIATORE FORNO	OVEN BURNER	OFENBRENNER	BRULEUR FOUR	QUEMADOR HORNO
24	17/12160079	*	PILOTA 3 FIAMME FORNO	THREE FLAME PILOT	DREIFLAMMENPILOT	VEILLEUSE TROIS FEUX	PILOTO TRIPLE FLAMA
25	17/12170029	*	CANDELETTA ACCENS. PIEZO	PIEZO SPARK	PIEZO-ZÜNDKERZE BUJÍA	PLUG BOUGIE PIEZO	PIEZOELÉCTRICA
26	17/12160129	*	TERMOCOPPIA L=1000	THERMOCOUPLE	THERMOELEMENT	THERMOCOUPLE	TERMOPAR
27	14/10030329		OGIVA TUBO Ø6	PIPE HUB	ROHRKEGEL	COUDE TUYAU	CODO TUBO
28	14/10030319		DADO PER TUBO Ø6	NUT	MUTTER	ECROU	TUERCA
29	29/99600319	*	MANOPOLA F.A. NERA	BLACK KNOB	GRIFFSCHWARZ	POIGNEE NOIR	POMO NEGRO
30	17/99900089	*	ACCENDITORE PIEZO	PIEZO LIGHTER	PIEZOZÜNDER	ALLUMEUR PIEZO	ENCENDEDOR PIEZOELÉCTRICO
31	16/99600059	*	RUBINETTO VALVOLATO 21S	TAP WTH VALVE	HAHN MIT VENTIL	ROBINET AVEC VANNE	LLAVE CON VÁLVULA
32	16/99600089	*	RUBINETTO TERMOSTATATO	TAP WTH THERMOSTAT	HAHN MIT THERMOSTAT	ROBINET AVEC THERMOSTAT	LLAVE CON TERMOSTATO
33	WD/99600099		CRUSCOTTO SUPERIORE	UPPER PANEL	OBERES BRETT	TABLEAU SUPERIEUR	TABLERO SUPERIOR
34	23/99600531		OMEGA ANT/POST INFERIORE	FRONT/REAR BOTTOM OMEGA-SHAPED SUPPORT	OMEGA-STÜTZE VORN/HINTEN UNTEN	SUPPORT OMEGA INFERIEUR AV./ARR.	SOPORTE INFERIOR OMEGA ANT./POST.
35	15/99901799		PIEDINO REGOLABILE	ADJUSTABLE FOOT	EINSTELLBARER FUSS	PIED REGLABLE	PIE REGULABLE

RIF.	CODICE	R.C.	DENOMINAZIONE	DESCRIPTION	BESCHREIBUNG	DESIGNATION	DENOMINACIONES
1	15/99901029	*	GRIGLIA DI RIDUZIONE	REDUCTION GRILL	REDUKTIONGITTER	GRILLE DE REDUCTION	PARRILLA DE REDUCCIÓN
2	01/99600059	*	GRIGLIA 1 FUOCO	GRILL	GITTER	GRILLE	PARRILLA
3	04/99900379	*	VENTURI GRANDE	SUPPORT	LAGER	SUPPORT	SOPORTE
4	04/99900369	*	SPARTIFIAMMA MEDIO	BURNER CAP	BRENNERDECKEL	CHAPEAU BRULEUR	TAPA QUEMADOR
5	04/99900329	*	CORPO BRUCIATORE MEDIO	BURNER BODY	BRENNERKÖRPER	CORPS BRULEUR	CUERPO QUEMADOR
6	13/99901039	*	PORTAUGELLO D=10	NOZZLE HOLDER	DÜSENHALTER	PORTE INJECTEUR	PORTA INYECTOR
7	69/99902459		SQUADRA SUP. BRUCIATORI	SUPPORT	LAGER	SUPPORT	SOPORTE
8	23/99606019		SQUADRA PILOTA	SUPPORT	LAGER	SUPPORT	SOPORTE
9	WD/99603329		RAMPA ALIMENTAZIONE	FEED PIPE	SPEISEROHR	RAMPE ALIMENTATION	RAMPA ALIMENTACIÓN
10	04/99900359	*	SPARTIFIAMMA DOPPIA CORONA	BURNER CAP	BRENNERDECKEL	CHAPEAU BRULEUR	TAPA QUEMADOR
11	04/99900319	*	CORPO BRUCIAT. DOPPIA CORONA	BURNER BODY	BRENNERKÖRPER	CORPS BRULEUR	CUERPO QUEMADOR
12	13/99901049	*	DADO PORTAUGELLO	NUT	MUTTER	ECROU	TUERCA
13	68/99604279		OMEGA PORTA BRUCIATORI	SUPPORT	LAGER	SUPPORT	SOPORTE
14	17/99900499	*	PILOTA 1 FIAMMA	FLAME PILOT	FLAMMENPILOT	VEILLEUSE FEUX	PILOTO FLAMA
15	17/12160039	*	TERMOCOPPIA L=320	THERMOCOUPLE	THERMOELEMENT	THERMOCOUPLE	TERMOPAR
16	17/99900649		TERMOCOPPIA L=600	THERMOCOUPLE	THERMOELEMENT	THERMOCOUPLE	TERMOPAR
17	14/99900049		OGIVA TUBO Ø10	PIPE HUB	ROHRKEGEL	COUDE TUYAU	CODO TUBO
18	13/10030019		DADO PER TUBO Ø10	PIPE NUT	MUTTER ROHR	ECROU TUYAU	TUERCA TUBO
19	04/99900389		VENTURI MEDIO	SUPPORT	LAGER	SUPPORT	SOPORTE
20	99/99907119	*	UGELLO METANO Ø1,55 F.A.	LPG NOZZLE	DÜSE FLÜSSIGGAS	INJECTEUR GAZ LIQUIDE	INYECTOR GAS LÍQUIDO
20	99/99909129	*	UGELLO GPL Ø1.35 F.A.	NATURAL GAS NOZZLE	DÜSE ERDGAS	INJECTEUR GAZ NATUREL	INYECTOR GAS NATURAL
20	99/99909139	*	UGELLO METANO Ø2,00 F.A.	LPG NOZZLE	DÜSE FLÜSSIGGAS	INJECTEUR GAZ LIQUIDE	INYECTOR GAS LÍQUIDO
20	99/99909449	*	UGELLO GPL Ø1.05 F.A.	NATURAL GAS NOZZLE	DÜSE ERDGAS	INJECTEUR GAZ NATUREL	INYECTOR GAS NATURAL
21	29/99600319	*	MANOPOLA F.A. NERA	BLACK KNOB	GRIFFSCHWARZ	POIGNEE NOIR	POMO NEGRO
22	WD/99600969		CRUSCOTTO SUPERIORE	UPPER PANEL	OBERES BRETT	TABEAU SUPERIEUR	TABLERO SUPERIOR
23	16/99600059	*	RUBINETTO VALVOLATO 21S	TAP WTH VALVE	HAHN MIT VENTIL	ROBINET AVEC VANNE	LLAVE CON VÁLVULA
24	14/10030319		DADO PER TUBO Ø6	NUT	MUTTER	ECROU	TUERCA
25	14/10030329		OGIVA TUBO Ø6	PIPE HUB	ROHRKEGEL	COUDE TUYAU	CODO TUBO
26	23/99604560		FIANCO SINISTRO BANCO	TABLE TOP LEFT SIDE	LINKE SEITENWAND TISCH	COTE GAUCHE COMPTOIR	FLANCO IZQUIERDO SOBREMESA
27	23/99605210		SCHIENALE INFERIORE BANCO	TABLE TOP BOTTOM REAR SIDE	UNTERES RÜCKENTEIL TISCH	DOS INFERIEUR COMPTOIR	PANEL TRASERO INFERIOR SOBREMESA
28	23/99604550		FIANCO DESTRO BANCO	TABLE TOP RIGHT SIDE	RECHTE SEITENWAND TISCH	COTE DROIT COMPTOIR	FLANCO DERECHO SOBREMESA
29	15/99600160		PIEDINO REGOLABILE BANCO	TABLE TOP ADJUSTABLE FOOT	EINSTELLBARER FUSS TISCH	PIE REGLABLE COMPTOIR	PIE REGULABLE SOBREMESA
30	23/99600370		FIANCO SINISTRO	LEFT SIDE	SEITENWAND LINKS	COTE GAUCHE	FLANCO IZQUIERDO
31	23/99600360		FIANCO DESTRO	RIGHT SIDE	SEITENWAND RECHTS	COTE DROIT	FLANCO DERECHO
32	15/99900199		MAGNETE PORTE	DOOR MAGNET	TÜR MAGNET	AIMANT PORTE	IMÁN PUERTA
33	23/99600400		CERNIERA PORTA	HINGE	SCHARNIER	CHARNIERE	BISAGRA
34	WD/99603859		PIANO SUPERIORE	TOP	OBERE PLATTE	PLATEAU	PLANO SUPERIOR
35	WP/99600060		PORTA	DOOR	TÜR	PORTE	PUERTA
36	15/99900499		MANIGLIA PORTA ARMADIO	HANDLE	HANDGRIFF	POIGNEE	MANIJA
37	23/99600320		SUPPORTO	SUPPORT	LAGER	SUPPORT	SOPORTE



RIF.	CODICE	R.C.	DENOMINAZIONE	DESCRIPTION	BESCHREIBUNG	DESIGNATION	DENOMINACIONES
1	15/99901029	*	GRIGLIA DI RIDUZIONE	REDUCTION GRILL	REDUKTIONGITTER	GRILLE DE REDUCTION	PARRILLA DE REDUCCIÓN
2	01/99600059	*	GRIGLIA 1 FUOCO	GRILL	GITTER	GRILLE	PARRILLA
3	04/99900379	*	VENTURI GRANDE	SUPPORT	LAGER	SUPPORT	SOPORTE
4	04/99900369	*	SPARTIFIAMMA MEDIO	BURNER CAP	BRENNERDECKEL	CHAPEAU BRULEUR	TAPA QUEMADOR
5	04/99900329	*	CORPO BRUCIATORE MEDIO	BURNER BODY	BRENNERKÖRPER	CORPS BRULEUR	CUERPO QUEMADOR
6	13/99901039	*	PORTAUGELLO D=10	NOZZLE HOLDER	DÜSENHALTER	PORTE INJECTEUR	PORTA INYECTOR
7	69/99902459		SQUADRA SUP. BRUCIATORI	SUPPORT	LAGER	SUPPORT	SOPORTE
8	23/99606019		SQUADRA PILOTA.	SUPPORT	LAGER	SUPPORT	SOPORTE
9	WD/99603329		RAMPA ALIMENTAZIONE	FEED PIPE	SPEISEROHR	RAMPE ALIMENTATION	RAMPA ALIMENTACIÓN
10	04/99900359	*	SPARTIFIAMMA DOPPIA CORONA	BURNER CAP	BRENNERDECKEL	CHAPEAU BRULEUR	TAPA QUEMADOR
11	04/99900319	*	CORPO BRUCIAT. DOPPIA CORONA	BURNER BODY	BRENNERKÖRPER	CORPS BRULEUR	CUERPO QUEMADOR
12	13/99901049	*	DADO PORTAUGELLO	NUT	MUTTER	ECROU	TUERCA
13	68/99604279		OMEGA PORTA BRUCIATORI	SUPPORT	LAGER	SUPPORT	SOPORTE
14	17/99900499	*	PILOTA 1 FIAMMA	FLAME PILOT	FLAMMENPILOT	VEILLEUSE FEUX	PILOTO FLAMA
15	17/12160039	*	TERMOCOPPIA L=320	THERMOCOUPLE	THERMOELEMENT	THERMOCOUPLE	TERMOPAR
16	17/99900649		TERMOCOPPIA L=600	THERMOCOUPLE	THERMOELEMENT	THERMOCOUPLE	TERMOPAR
17	14/99900049		OGIVA TUBO Ø10	PIPE HUB	ROHRKEGEL	COUDE TUYAU	CODO TUBO
18	13/10030019		DADO PER TUBO Ø10	PIPE NUT	MUTTER ROHR	ECROU TUYAU	TUERCA TUBO
19	04/99900389		VENTURI MEDIO	SUPPORT	LAGER	SUPPORT	SOPORTE
20	99/99907119	*	UGELLO METANO Ø1,55 F.A.	LPG NOZZLE	DÜSE FLÜSSIGGAS	INJECTEUR GAZ LIQUIDE	INYECTOR GAS LÍQUIDO
20	99/99909129	*	UGELLO GPL Ø1.35 F.A.	NATURAL GAS NOZZLE	DÜSE ERDGAS	INJECTEUR GAZ NATUREL	INYECTOR GAS NATURAL
20	99/99909139	*	UGELLO METANO Ø2,00 F.A.	LPG NOZZLE	DÜSE FLÜSSIGGAS	INJECTEUR GAZ LIQUIDE	INYECTOR GAS LÍQUIDO
20	99/99909449	*	UGELLO GPL Ø1.05 F.A.	NATURAL GAS NOZZLE	DÜSE ERDGAS	INJECTEUR GAZ NATUREL	INYECTOR GAS NATURAL
20	99/99907009	*	UGELLO GPL Ø1.45 BRUCIAT. FORNO	LPG NOZZLE	DÜSE FLÜSSIGGAS	INJECTEUR GAZ LIQUIDE	INYECTOR GAS LÍQUIDO
20	99/99907109	*	UGELLO METANO Ø2.10 BRUC. FORNO	NATURAL GAS NOZZLE	DÜSE ERDGAS	INJECTEUR GAZ NATUREL	INYECTOR GAS NATURAL
21	14/99900139		PORTAUGELLO BRUCIAT. FORNO	NOZZLE HOLDER	DÜSENHALTER	PORTE INJECTEUR	PORTA INYECTOR
22	14/99900809		REGOLATORE ARIA VENTURI	AIR REGULATOR	LUFTREGLER	REGULATEUR AIR	REGULADOR AIRE
23	20/99600079	*	BRUCIATORE FORNO	OVEN BURNER	OFENBRENNER	BRULEUR FOUR	QUEMADOR HORNO
24	17/12160079	*	PILOTA 3 FIAMME FORNO	THREE FLAME PILOT	DREIFLAMMENPILOT	VEILLEUSE TROIS FEUX	PILOTO TRIPLE FLAMA
25	17/12170029	*	CANDELETTA ACCENS. PIEZO	PIEZO SPARK	PIEZO-ZÜNDKERZE BUJÍA	PLUG BOUGIE PIEZO	PIEZOELÉCTRICA
26	17/12160129	*	TERMOCOPPIA L=1000	THERMOCOUPLE	THERMOELEMENT	THERMOCOUPLE	TERMOPAR
27	14/10030329		OGIVA TUBO Ø6	PIPE HUB	ROHRKEGEL	COUDE TUYAU	CODO TUBO
28	14/10030319		DADO PER TUBO Ø6	NUT	MUTTER	ECROU	TUERCA
29	29/99600319	*	MANOPOLA F.A. NERA	BLACK KNOB	GRIFFSCHWARZ	POIGNEE NOIR	POMO NEGRO
30	17/99900089	*	ACCENDITORE PIEZO	PIEZO LIGHTER	PIEZOZÜNDER	ALLUMEUR PIEZO	ENCENDEDOR PIEZOELÉCTRICO
31	16/99600059	*	RUBINETTO VALVOLATO 21S	TAP WTH VALVE	HAHN MIT VENTIL	ROBINET AVEC VANNE	LLAVE CON VÁLVULA
32	16/99600089	*	RUBINETTO TERMOSTATATO	TAP WTH THERMOSTAT	HAHN MIT THERMOSTAT	ROBINET AVEC THERMOSTAT	LLAVE CON TERMOSTATO
33	29/99600329	*	MANOPOLA TERMOSTATATA NERA	BLACK KNOB	GRIFFSCHWARZ	POIGNEE NOIR	POMO NEGRO
34	WD/99600969		CRUSCOTTO SUPERIORE	UPPER PANEL	OBERES BRETT	TABEAU SUPERIEUR	TABLERO SUPERIOR
35	23/99601389		OMEGA ANT/POST INFERIORE	FRONT/REAR BOTTOM OMEGA-SHAPED SUPPORT	OMEGA-STÜTZE VORN/HINTEN UNTEN	SUPPORT OMEGA INFERIEUR AV./ARR.	SOPORTE INFERIOR OMEGA ANT./POST.



RIF.	CODICE	R.C.	DENOMINAZIONE	DESCRIPTION	BESCHREIBUNG	DESIGNATION	DENOMINACIONES
1	15/99901029	*	GRIGLIA DI RIDUZIONE	REDUCTION GRILL	REDUKTIONGITTER	GRILLE DE REDUCTION	PARRILLA DE REDUCCIÓN
2	01/99600059	*	GRIGLIA 1 FUOCO	GRILL	GITTER	GRILLE	PARRILLA
3	04/99900379	*	VENTURI GRANDE	SUPPORT	LAGER	SUPPORT	SOPORTE
4	04/99900369	*	SPARTIFIAMMA MEDIO	BURNER CAP	BRENNERDECKEL	CHAPEAU BRULEUR	TAPA QUEMADOR
5	04/99900329	*	CORPO BRUCIATORE MEDIO	BURNER BODY	BRENNERKÖRPER	CORPS BRULEUR	CUERPO QUEMADOR
6	13/99901039	*	PORTAUGELLO D=10	NOZZLE HOLDER	DÜSENHALTER	PORTE INJECTEUR	PORTA INYECTOR
7	69/99902459		SQUADRA SUP. BRUCIATORI	SUPPORT	LAGER	SUPPORT	SOPORTE
8	23/99606019		SQUADRA PILOTA	SUPPORT	LAGER	SUPPORT	SOPORTE
9	WD/99603329		RAMPA ALIMENTAZIONE	FEED PIPE	SPEISEROHR	RAMPE ALIMENTATION	RAMPA ALIMENTACIÓN
10	04/99900359	*	SPARTIFIAMMA DOPPIA CORONA	BURNER CAP	BRENNERDECKEL	CHAPEAU BRULEUR	TAPA QUEMADOR
11	04/99900319	*	CORPO BRUCIAT. DOPPIA CORONA	BURNER BODY	BRENNERKÖRPER	CORPS BRULEUR	CUERPO QUEMADOR
12	13/99901049	*	DADO PORTAUGELLO	NUT	MUTTER	ECROU	TUERCA
13	68/99604279		OMEGA PORTA BRUCIATORI	SUPPORT	LAGER	SUPPORT	SOPORTE
14	17/99900499	*	PILOTA 1 FIAMMA	FLAME PILOT	FLAMMENPILOT	VEILLEUSE FEUX	PILOTO FLAMA
15	17/99900029	*	TERMOCOPPIA L=320	THERMOCOUPLE	THERMOELEMENT	THERMOCOUPLE	TERMOPAR
16	17/99900039		TERMOCOPPIA L=600	THERMOCOUPLE	THERMOELEMENT	THERMOCOUPLE	TERMOPAR
17	14/99900049		OGIVA TUBO Ø10	PIPE HUB	ROHRKEGEL	COUDE TUYAU	CODO TUBO
18	13/10030019		DADO PER TUBO Ø10	PIPE NUT	MUTTER ROHR	ECROU TUYAU	TUERCA TUBO
19	04/99900389		VENTURI MEDIO	SUPPORT	LAGER	SUPPORT	SOPORTE
20	99/99907119	*	UGELLO METANO Ø1,55 F.A.	LPG NOZZLE	DÜSE FLÜSSIGGAS	INJECTEUR GAZ LIQUIDE	INYECTOR GAS LÍQUIDO
20	99/99909129	*	UGELLO GPL Ø1.35 F.A.	NATURAL GAS NOZZLE	DÜSE ERDGAS	INJECTEUR GAZ NATUREL	INYECTOR GAS NATURAL
20	99/99909139	*	UGELLO METANO Ø2,00 F.A.	LPG NOZZLE	DÜSE FLÜSSIGGAS	INJECTEUR GAZ LIQUIDE	INYECTOR GAS LÍQUIDO
20	99/99909449	*	UGELLO GPL Ø1.05 F.A.	NATURAL GAS NOZZLE	DÜSE ERDGAS	INJECTEUR GAZ NATUREL	INYECTOR GAS NATURAL
21	07/99600019		RESISTENZA FORNO	RESISTOR	RESISTOR	RESISTANCE	RESISTOR
22	08/99900179	*	TERMOSTATO LAVORO FORNO	THERMOSTAT	THERMOSTAT	THERMOSTAT	TERMOSTATO
23	09/16520139	*	COMMUTATORE FORNO	OVEN SELECTOR SWITCH	UMSCHALTER OFEN	COMMUTATEUR FOUR	CONMUTADOR HORNO
24	16/99600059	*	RUBINETTO VALVOLATO 21S	TAP WTH VALVE	HAHN MIT VENTIL	ROBINET AVEC VANNE	LLAVE CON VÁLVULA
25	08/85900019	*	TERMOSTATO DI SICUREZZA FORNO	OVEN SAFETY THERMOSTAT	SICHERHEITSTHERMOSTAT OFEN	THERMOSTAT SECURITE FOUR	TERMOSTATO DE SEGURIDAD HORNO
26	29/99600021	*	MANOPOLA FORNO	OVEN KNOB	DREHKNOPF OFEN	POIGNEE FOUR	POMO HORNO
26	29/99600022	*	MANOPOLA COMMUTATORE 0 3	0 3 SWITCH KNOB	DREHKNOPF UMSCHALTER 0 3	POIGNEE COMMUTATEUR 0 3	POMO CONMUTADOR 0 3
27	14/10030329		OGIVA TUBO Ø6	PIPE HUB	ROHRKEGEL	COUDE TUYAU	CODO TUBO
28	14/10030319		DADO PER TUBO Ø6	NUT	MUTTER	ECROU	TUERCA
29	29/99600319	*	MANOPOLA F.A. NERA	BLACK KNOB	GRIFFSCHWARZ	POIGNEE NOIR	POMO NEGRO
30	WD/99600099		CRUSCOTTO SUPERIORE	UPPER PANEL	OBERES BRETT	TABLEAU SUPERIEUR	TABLERO SUPERIOR
31	23/99601389		OMEGA ANT/POST INFERIORE	FRONT/REAR BOTTOM OMEGA-SHAPED SUPPORT	OMEGA-STÜTZE VORN/HINTEN UNTEN	SUPPORT OMEGA INFERIEUR AV./ARR.	SOPORTE INFERIOR OMEGA ANT./POST.
32	15/99901799		PIEDINO REGOLABILE	ADJUSTABLE FOOT	EINSTELLBARER FUSS	PIED REGLABLE	PIE REGULABLE
33	69/99901009		TONDINO FERMALANA	TUBE	ROHR	TUBE	TUBO
34	23/99900400		GRIGLIA SCARICO FUMI	FLUE GRILL	ABGASGITTER	GRILLE FUMEE	REJILLA SALIDA HUMOS
35	68/99601209		CAMINO SCARICO FUMI	SMOKE OUTLET	RAUCHABZUG	EVENT FUMEE	SALIDA HUMOS
36	15/99600140		PLATEA ANTERIORE	OVEN BASE	OFENPLATTE	SOUBASSEMENT	PLACA FONDO HORNO

RIF.	CODICE	R.C.	DENOMINAZIONE	DESCRIPTION	BESCHREIBUNG	DESIGNATION	DENOMINACIONES
1	15/99901029	*	GRIGLIA DI RIDUZIONE	REDUCTION GRILL	REDUKTIONGITTER	GRILLE DE REDUCTION	PARRILLA DE REDUCCI3N
2	01/99600059	*	GRIGLIA 1 FUOCO	GRILL	GITTER	GRILLE	PARRILLA
3	04/99900379	*	VENTURI GRANDE	SUPPORT	LAGER	SUPPORT	SOPORTE
4	04/99900369	*	SPARTIFIAMMA MEDIO	BURNER CAP	BRENNERDECKEL	CHAPEAU BRULEUR	TAPA QUEMADOR
5	04/99900329	*	CORPO BRUCIATORE MEDIO	BURNER BODY	BRENNERK3RPER	CORPS BRULEUR	CUERPO QUEMADOR
6	13/99901039	*	PORTAUGELLO D=10	NOZZLE HOLDER	D3SENHALTER	PORTE INJECTEUR	PORTA INYECTOR
7	69/99902459		SQUADRA SUP. BRUCIATORI	SUPPORT	LAGER	SUPPORT	SOPORTE
8	23/99606019		SQUADRA PILOTA.	SUPPORT	LAGER	SUPPORT	SOPORTE
9	WD/99603329		RAMPA ALIMENTAZIONE	FEED PIPE	SPEISEROHR	RAMPE ALIMENTATION	RAMPA ALIMENTACI3N
10	04/99900359	*	SPARTIFIAMMA DOPPIA CORONA	BURNER CAP	BRENNERDECKEL	CHAPEAU BRULEUR	TAPA QUEMADOR
11	04/99900319	*	CORPO BRUCIAT. DOPPIA CORONA	BURNER BODY	BRENNERK3RPER	CORPS BRULEUR	CUERPO QUEMADOR
12	13/99901049	*	DADO PORTAUGELLO	NUT	MUTTER	ECROU	TUERCA
13	68/99604279		OMEGA PORTA BRUCIATORI	SUPPORT	LAGER	SUPPORT	SOPORTE
14	17/99900499	*	PILOTA 1 FIAMMA	FLAME PILOT	FLAMMENPILOT	VEILLEUSE FEUX	PILOTO FLAMA
15	17/12160039	*	TERMOCOPPIA L=320	THERMOCOUPLE	THERMOELEMENT	THERMOCOUPLE	TERMOPAR
16	17/99900649	*	TERMOCOPPIA L=600	THERMOCOUPLE	THERMOELEMENT	THERMOCOUPLE	TERMOPAR
17	14/99900049		OGIVA TUBO Ø10	PIPE HUB	ROHRKEGEL	COUDE TUYAU	CODO TUBO
18	13/10030019		DADO PER TUBO Ø10	PIPE NUT	MUTTER ROHR	ECROU TUYAU	TUERCA TUBO
19	04/99900389		VENTURI MEDIO	SUPPORT	LAGER	SUPPORT	SOPORTE
20	99/99907119	*	UGELLO METANO Ø1,55 F.A.	LPG NOZZLE	D3SE FL3SSIGGAS	INJECTEUR GAZ LIQUIDE	INYECTOR GAS L3QUIDO
20	99/99909129	*	UGELLO GPL Ø1.35 F.A.	NATURAL GAS NOZZLE	D3SE ERDGAS	INJECTEUR GAZ NATUREL	INYECTOR GAS NATURAL
20	99/99909139	*	UGELLO METANO Ø2,00 F.A.	LPG NOZZLE	D3SE FL3SSIGGAS	INJECTEUR GAZ LIQUIDE	INYECTOR GAS L3QUIDO
20	99/99909449	*	UGELLO GPL Ø1.05 F.A.	NATURAL GAS NOZZLE	D3SE ERDGAS	INJECTEUR GAZ NATUREL	INYECTOR GAS NATURAL
20	99/99907009	*	UGELLO GPL Ø1.45 BRUCIAT. FORNO	LPG NOZZLE	D3SE FL3SSIGGAS	INJECTEUR GAZ LIQUIDE	INYECTOR GAS L3QUIDO
20	99/99907109	*	UGELLO METANO Ø2.10 BRUC. FORNO	NATURAL GAS NOZZLE	D3SE ERDGAS	INJECTEUR GAZ NATUREL	INYECTOR GAS NATURAL
21	29/99600329	*	MANOPOLA TERMOSTATATA NERA	BLACK KNOB	GRIFFSCHWARZ	POIGNEE NOIR	POMO NEGRO
22	14/99900809		REGOLATORE ARIA VENTURI	AIR REGULATOR	LUFTREGLER	REGULATEUR AIR	REGULADOR AIRE
23	20/99600019	*	BRUCIATORE FORNO	OVEN BURNER	OFENBRENNER	BRULEUR FOUR	QUEMADOR HORNO
24	17/12160079	*	PILOTA 3 FIAMME FORNO	THREE FLAME PILOT	DREIFLAMMENPILOT	VEILLEUSE TROIS FEUX	PILOTO TRIPLE FLAMA
25	17/12170029	*	CANDELETTA ACCENS. PIEZO	PIEZO SPARK	PIEZO-Z3NDKERZE BUJ3A	PLUG BOUGIE PIEZO	PIEZOEL3CTRICA
26	17/99600279	*	TERMOCOPPIA L=1000	THERMOCOUPLE	THERMOELEMENT	THERMOCOUPLE	TERMOPAR
27	14/10030329		OGIVA TUBO Ø6	PIPE HUB	ROHRKEGEL	COUDE TUYAU	CODO TUBO
28	14/10030319		DADO PER TUBO Ø6	PIPE NUT	MUTTER ROHR	ECROU TUYAU	TUERCA TUBO
29	17/99900089	*	ACCENDITORE PIEZO	PIEZO LIGHTER	PIEZOZ3NDER	ALLUMEUR PIEZO	ENCENDEDOR PIEZOEL3CTRICO
30	29/99600319	*	MANOPOLA F.A. NERA	BLACK KNOB	GRIFFSCHWARZ	POIGNEE NOIR	POMO NEGRO
31	16/99600059	*	RUBINETTO VALVOLATO 21S	TAP WTH VALVE	HAHN MIT VENTIL	ROBINET AVEC VANNE	LLAVE CON V3LVULA
32	16/99600089	*	RUBINETTO TERMOSTATATO	TAP WTH THERMOSTAT	HAHN MIT THERMOSTAT	ROBINET AVEC THERMOSTAT	LLAVE CON TERMOSTATO
33	WD/99600969		CRUSCOTTO SUPERIORE	UPPER PANEL	OBERES BRETT	TABLEAU SUPERIEUR	TABLERO SUPERIOR
34	23/99601389		OMEGA ANT/POST INFERIORE	FRONT/REAR BOTTOM OMEGA-SHAPED SUPPORT	OMEGA-ST3TZE VORN/HINTEN UNTEN	SUPPORT OMEGA INFERIEUR AV./ARR.	SOPORTE INFERIOR OMEGA ANT./POST.
35	15/99901799		PIEDINO REGOLABILE	ADJUSTABLE FOOT	EINSTELLBARER FUSS	PIED REGLABLE	PIE REGULABLE

