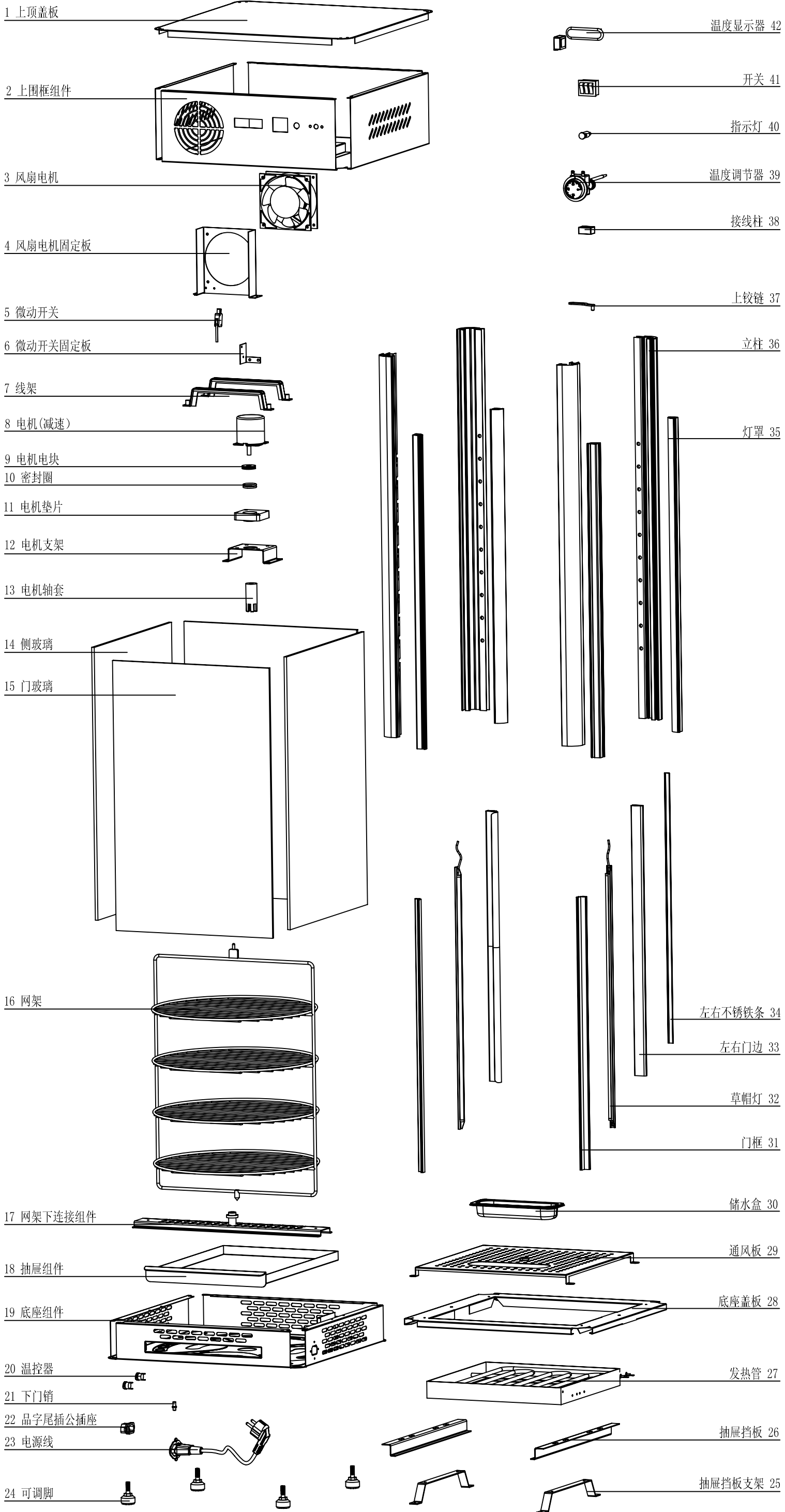


# 保温柜爆炸图 RTR-108L



序号	物料代码	名称	价格 (\$)
1	1. 1. B. B33. 01	Top cover	7.10
2	1. 1. B. B33. 02	Top fence	27.80
3	1. 1. A. A03. 01. 31	Fan motor	8.40
4	1. 1. B. B33. 27	Motor holder	2.90
5	1. 1. A. A07. 14	Rotational Switch	0.80
6	1. 1. B. B33. 29	Switch holder	0.80
7	1. 1. C. C67. 04	Wire holder	0.20
8	1. 1. A. A03. 01. 39	Motor for the Rotational rack	9.00
9	1. 1. C. C67. 02	Washer	0.20
10	1. 1. C. C67. 01	Sealing ring	0.10
11	1. 1. B. B33. 03	Block of motor	0.30
	1. 1. B. B33. 04		0.30
12	1. 1. B. B33. 05	Motor holder	2.50
13	1. 1. B. B33. 06	Shaft sleeve	8.40
14	1. 1. E. E2. 04. 05	Side glass	4.60
15	1. 1. E. E2. 04. 04	Door glass	3.60
16	1. 1. B. B02. 06. 36	Rotational rack	16.30
17	1. 1. B. B33. 07	Bracing piece of Rack	9.00
18	1. 1. B. B33. 08	Crumbs collect tray	11.30
19	1. 1. B. B33. 09	Base housing	25.50
20	1. 1. A. A06. 03. 11	Thermostat°	0.50
	1. 1. A. A06. 03. 12		0.40
21	1. 1. B. B33. 22	Door pin	2.00
22	1. 1. A. A11. 10	Socket	0.20
23	1. 1. A. A08. 02. 86	Power cord	2.20
24	1. 1. C. C32. 18	Adjustable feet	0.10
25	1. 1. B. B33. 11	Guide rail of collect tray	1.30
26	1. 1. B. B33. 10	Carriage of guide rail	1.50
27	1. 1. B. B33. 12	Heating element	14.60
28	1. 1. B. B33. 13	Cover of heating element	13.10
29	1. 1. B. B33. 14	Louver boards	11.40
30	1. 1. B. B33. 35	Water tank	3.40
31	1. 1. B. B33. 15	Barrier strip	1.60
32	1. 1. A. A01. 03. 89	LED light	4.70
33	1. 1. B. B33. 17	Door frame	1.60
	1. 1. B. B33. 28		1.80
34	1. 1. B. B03. 05	Magnet strip	0.20
35	1. 1. C. C67. 05	Light cover	1.40
36	1. 1. B. B33. 31	Pillar	3.71
	1. 1. B. B33. 32		3.71
	1. 1. B. B33. 33		3.71
	1. 1. B. B33. 34		3.71
37	1. 1. B. B33. 19	Top hinge	0.70
38	1. 1. B. B08. 34	Terminal block	0.30
39	1. 1. A. A11. 02	Temperature controller	2.60
40	1. 1. A. A11. 04	Indicator light	0.30
41	1. 1. A. A07. 13	Switch	1.20
42	1. 1. A. A06. 03. 26	Temperature display	9.10