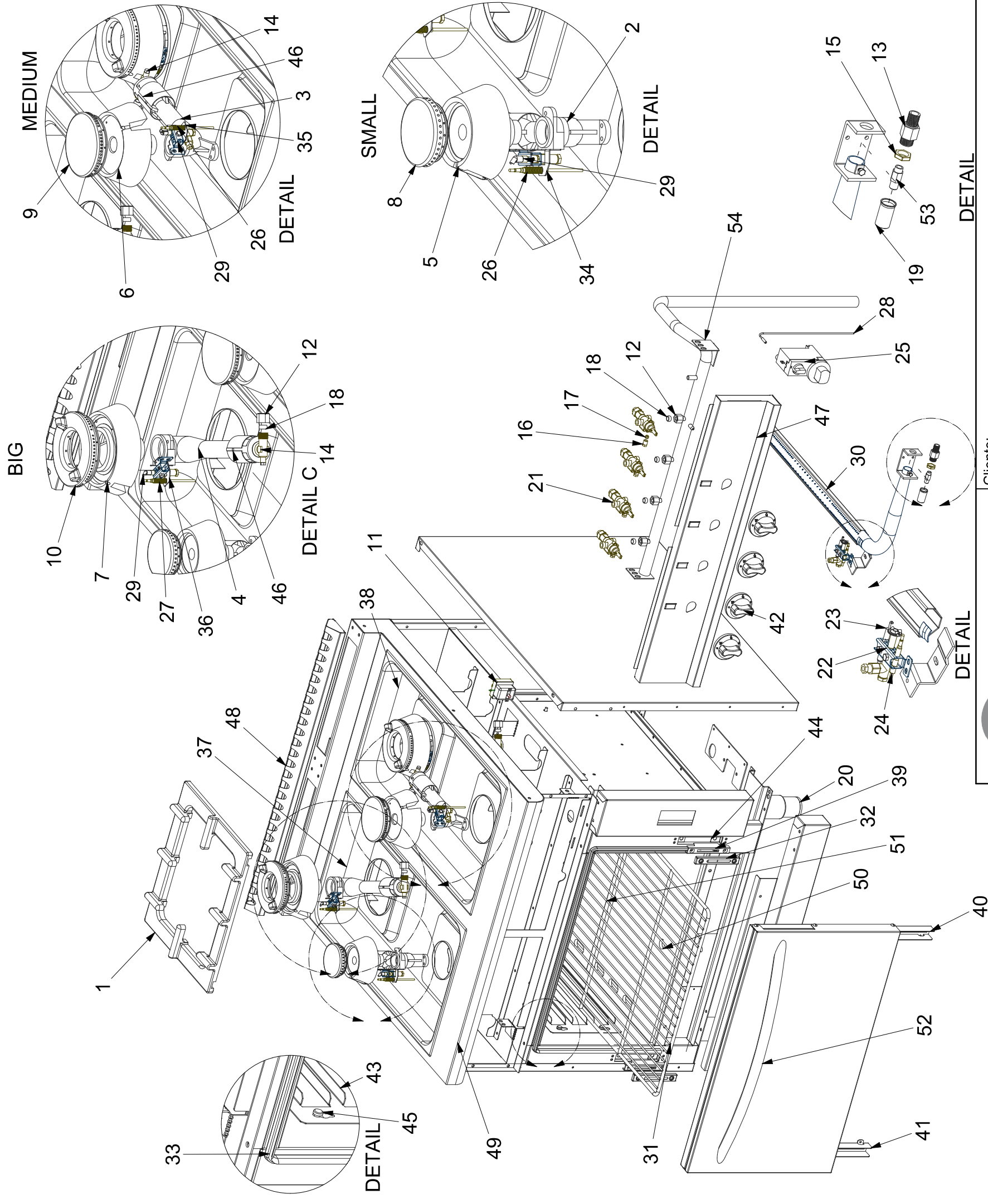



N. ELEMENTO.	NUMERO PARTE
1	01-99900001 1-BURNER GRID LINE 900
2	04-99900019 VENTURI CONE FOR SMALL BURNER
3	04-99900029 VENTURI CONE FOR MEDIUM BURNER
4	04-99900039 VENTURI CONE FOR BIG BURNER
5	04-99900049 BURNER BODY FOR SMALL BURNER
6	04-99900059 BURNER BODY FOR MEDIUM BURNER
7	04-99900069 BURNER BODY FOR BIG BURNER
8	04-99900079 CAP FOR SMALL BURNER
9	04-99900089 CAP FOR MEDIUM BURNER
10	04-99900099 CAP FOR BIG BURNER
11	08-85900019 SAFETY THERMOSTAT 350°
12	13-10030019 NUT Ø 10
13	13-99900879 HOLDER FOR BURNER NOOZLE
14	13-99901039 HOLDER FOR NOOZLE D.10
15	13-99901049 BRASS LOCK NUT
16	14-10030019 NUT Ø 6
17	14-10030029 OGIVE Ø 6
18	14-99900049 OGIVE Ø 10
19	14-99900809 BUSHING AIR REGISTER D.18
20	15-99901801 STANDARD FOOT D.58X120-185H
21	16-999600059 GAS TAP 21S
22	17-12160079 3-FLAMES PILOT
23	17-12170029 SPURK PLUG
24	17-999600239 THERMOCOUPLE L=1200
25	17-99800019 VALVE FOR GAS OVEN
26	17-999000029 THERMOCOUPLE L=600
27	17-999000030 THERMOCOUPLE L=850
28	17-999000080 CABLE 1200 FOR ELECTRIC PIEZO
29	17-99900499 1-FLAME PILOT
30	20-99900139 OVEN BURNER
31	21-GX2-1 CHROMED GRID FOR OVEN GN 2/1
32	23-19892319 PLATE FOR ROLLERS' COVERING
33	23-999600212 OVEN JOINT
34	23-99701009 PILOT FIXING ELEMENT FOR SMALL BURNER
35	23-99701019 PILOT FIXING ELEMENT FOR MEDIUM BURNER
36	23-99701029 PILOT FIXING ELEMENT FOR BIG BURNER
37	23-999000719 SMALL-BIG TRAY
38	23-999000819 MEDIUM-BIG TRAY
39	28-17610029 OVEN DOOR ROLLER
40	28-999600019 RIGHT OVEN HINGE
41	28-999600029 LEFT OVEN HINGE
42	29-99701109 KNOB FOR OPEN BURNERS
43	68-997000030 OVEN GRID SUPPORT
44	69-999603099 PLATE FOR OVEN HINGE INSTALLATION
45	69-99901729 SCREW FOR GRID SUPPORT
46	69-99901929 AIR REGULATION
47	FRONTAL PANEL
48	GRID FOR CHIMNEY
49	TOP
50	FRONT OVEN PLATE
51	REAR OVEN PLATE
52	DOOR OVEN
53	NOOZLE FOR OEVN
54	WA-83300319 GAS RAMP




**CASTA S.r.l.**  
 professional cooking equipment  
 Stab. 1 e 3 - Via F.lli Lumière, 11 - Z.I. Villa Selva  
 Stab. 2 - Via F.lli Lumière, 30 - Z.I. Villa Selva  
 47122 Forlì - FC - IT  
 www.castacom.com - e-mail: casta@casta.com  
 Tel. +39.0543.782920 - Fax+39.0543.782925

Cliente: \_\_\_\_\_  
 Prodotto: LQ-CUG4NG.1P1M2G  
 kW gas: \_\_\_\_\_ kW elettrico: \_\_\_\_\_  
 Data: 26/03/2021 Revisione: del 10/12/2021 Scala: Designer: Andrea Francini  
 1:10  
 Note: \_\_\_\_\_