

MÜNCHEN

SPARE PARTS & MAINTENANCE MANUAL



Item number: 440-1000

MÜNCHEN

SPARE PARTS & MAINTENANCE MANUAL

INHALTSTABELLE

GENERELLE INFORMATIONEN	4
AUFSTELLUNGSZEICHNUNG	8
ELEKTRISCHE ZEICHNUNG	9
MONTAGE DER ERSATZTEILE	10

TABLE OF CONTENTS

GENERAL INFORMATION	5
INSTALLATION DRAWING	8
ELECTRICAL DRAWING	9
SPARE PARTS ASSEMBLY	10

TABLE DES MATIÈRES

GÉNÉRALITÉS	6
PLAN D'INSTALLATION	8
PLAN DE MONTAGE ÉLECTRIQUE	9
MONTAGE DES PIÈCES DE RECHANGE	10

TABLE DES MATIÈRES

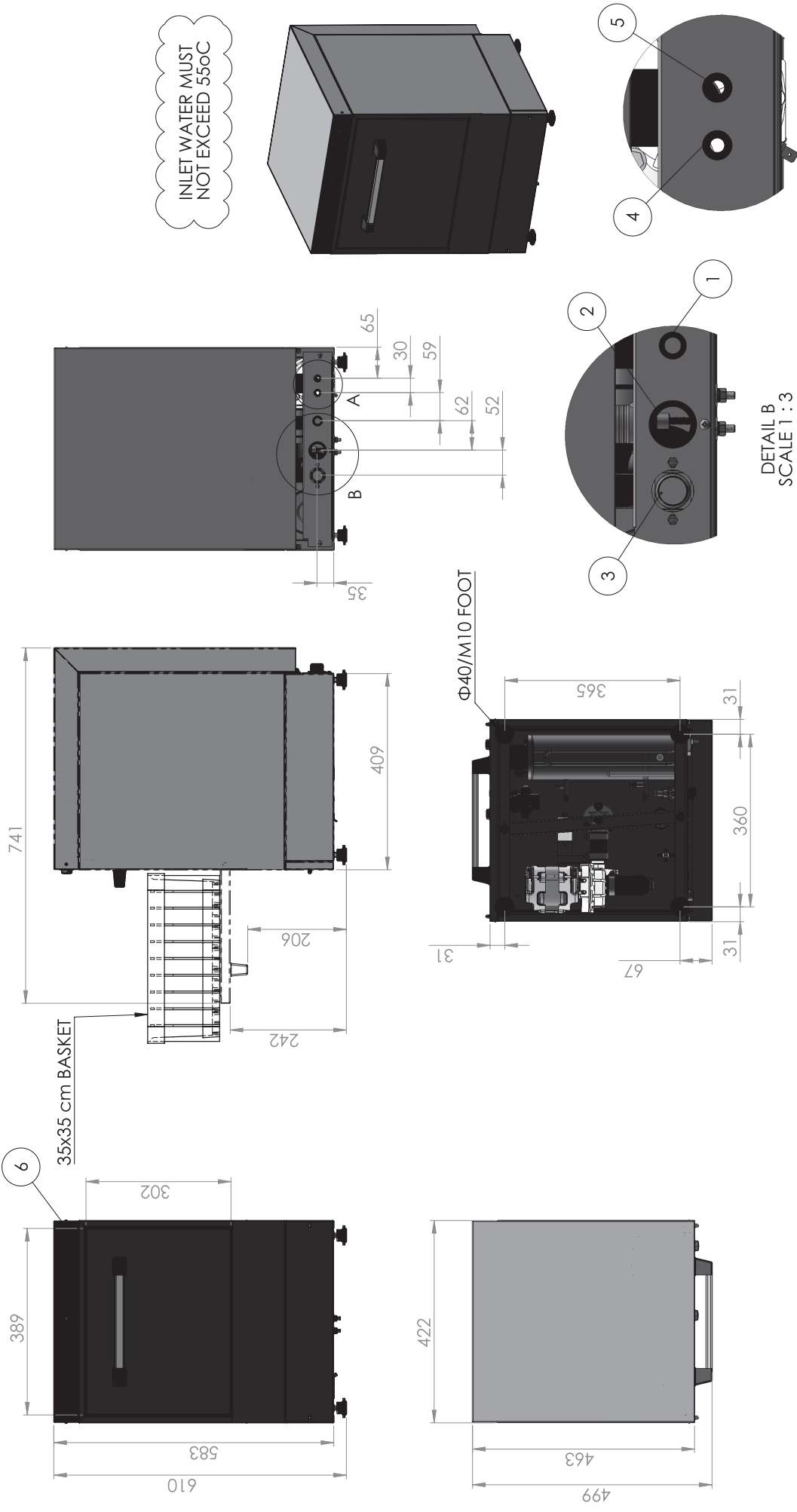
INFORMACIÓN GENERAL	7
DISEÑO DE INSTALACIÓN	8
DISEÑO ELÉCTRICO	9
MONTAJE DE PIEZAS DE RECAMBIO	10

Model	München
Stromversorgung	208-240 V 60 Hz
Max. Leistung	2,6 Kw
Max. Belastung	9,5 A
Boiler-Heizung	2,5 Kw
Tank-Heizung	2,0 Kw
Boiler-Kapazität	2,1 Lt
Tank-Kapazität	14 Lt
Wasserverbrauch pro Zyklus	1,7 Lt
Externe Dimensionen	420 x 460 x 600 mm
Korbgröße	350 X 350 mm
Waschprogramme	120 sec
Überblick der Zubehörteile	2 Korb für Gläser
	4 Einebnungsangel
	1 Messerkorb
	1 Wassereinlaufschlauch
	1 Druckminderer
Wasch- und Spülgruppe	Edelstahl
Pumpenmotor	0,1 hp
Spülmittelaufgeber	Standard
Klarspüleraufgeber	pneumatisch
Boilerthermosicherung	105° C Thermosicherung
Tankthermosicherung	99° C Thermosicherung
Boilerthermometer	-
Tankthermometer	-
Ablaufpumpe	-
Max. Glashöhe	240
Max. Tellerhöhe	-
Max. Geräusch	67,2 dB

Model	München
Power Supply	208-240 V 60 Hz
Max Power	2,6 Kw
Max Load	9,5 A
Boiler Heater	2,5 Kw
Tank Heater	2,0 Kw
Boiler Capacity	2,1 Lt
Tank Capacity	14 Lt
Water Consumption per cycle	1,7 Lt
Ex. Dimensions	420 x 460 x 600 mm
Basket Size	350 X 350 mm
Washing Programms	120 sec
Overview Accessories	2 basket for glasses
	4 leveling feet
	1 Cutlery basket
	1 Water inlet hose
	1 pressure reducer
Wasch and Rinse Group	Stainless steel
Pump Motor	0,1 hp
Detergent Feeder	Standard
Rinse Aid Feeder	pneumatic
Boiler Thermofuse	105° C thermofuse
Tank Thermofuse	99° C Thermofuse
Boiler's Thermometer	-
Tank's thermometer	-
Draining Pump	-
Maximum Glass Height	240
Maximum Dish Height	-
Maximum Noise	67,2 dB

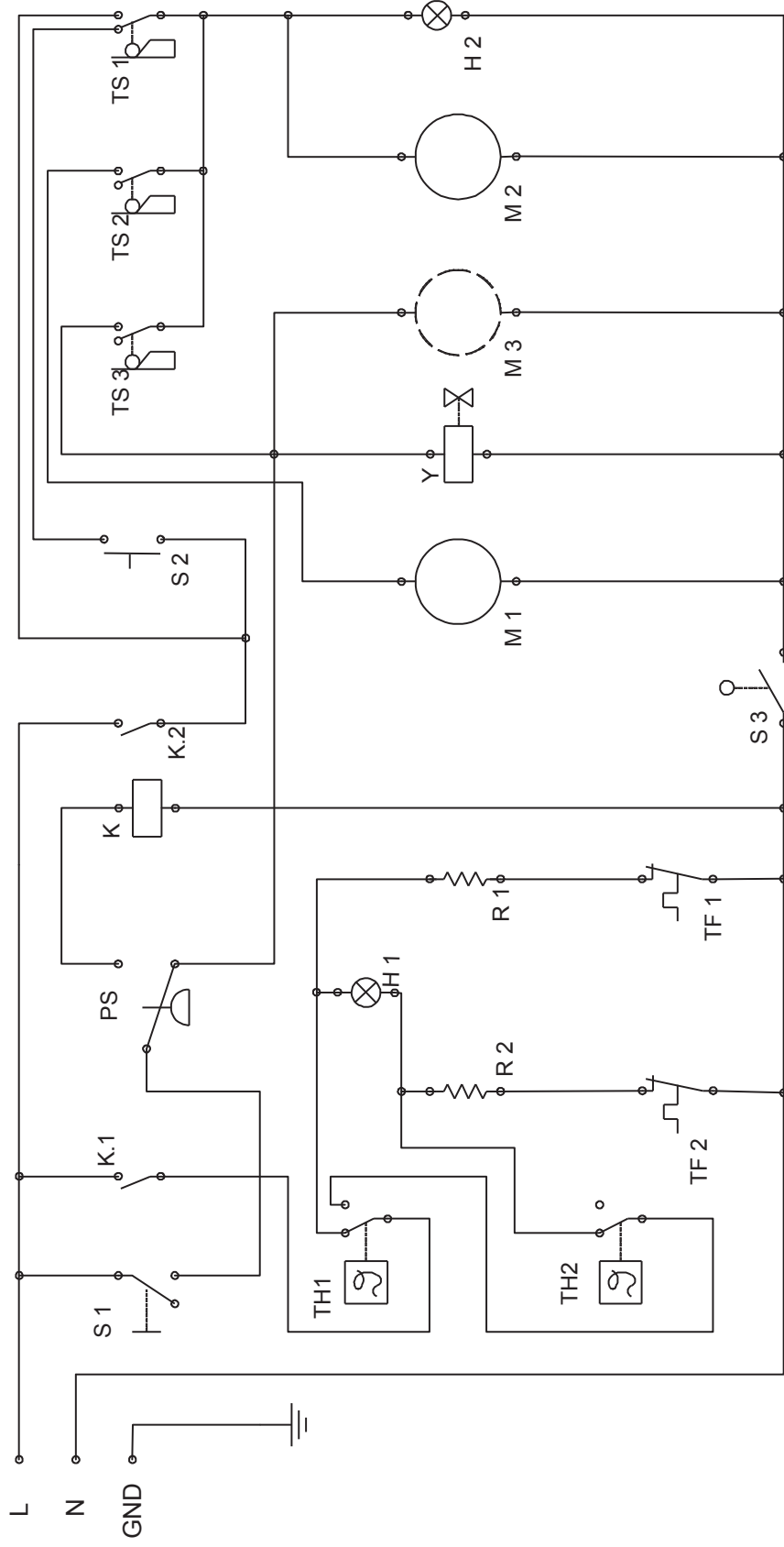
Modèle	München
Alimentation	208-240 V 60 Hz
Puissance max	2,6 Kw
Charge max	9,5 A
Élément chauffant ballon	2,5 Kw
Élément chauffant cuve	2,0 Kw
Capacité du ballon	2,1 L
Capacité de la cuve	14 L
Consommation d'eau par cycle	1,7 Lt
Dimensions Ext.	420 x 460 x 600 mm
Dimensions Panier	350 X 350 mm
Programmes de lavage	120 sec
Liste d'Accessoires	2 paniers à verres
	1 support en plastique pour 12 assiettes
	4 pieds réglables
	1 panier à couverts
	1 tuyau d'arrivée d'eau
	1 réducteur de pression
Ensemble lavage et rinçage	acier inoxydable
Moteur de pompe	0,1 hp
Réservoir à détergent	Standard
Réservoir à liquide de rinçage	pneumatique
Fusible thermique du ballon	Fusible thermique 105° C
Fusible thermique de la cuve	Fusible thermique 99° C
Thermomètre du ballon	-
Thermomètre de la cuve	-
Pompe de vidange	-
Hauteur maximale des verres	240
Hauteur maximale des assiettes	-
Bruit maximal	67,2 dB

Tipo	München
Suministro Eléctrico	208-240 V 60 Hz
Potencia Máxima	2,6 Kw
Carga Máxima	9,5 A
Calentador de Caldera	2,5 Kw
Calentador de Cuba	2,0 Kw
Capacidad de Caldera	2,1 Lt
Capacidad de Cuba	14 Lt
Consumo de Agua por ciclo	1,7 Lt
Dimensiones exteriores	420 x 460 x 600 mm
Tamaño de Cesto	350 x 350 mm
Programas de Lavado	120 segundos
Accesorios incluidos	2 cestos para vasos
	Base plástica para 12 platos
	4 patas de nivelación
	1 cesto de cuchillería
	1 manguera de entrada de agua
	1 reductor de presión
Grupo de Lavado y Aclarado	acero inoxidable
Motor de bomba	0,1 hp
Dosificador de detergente	estándar
Dosificador de abrillantador	neumático
Fusible Térmico de Caldera	Fusible térmico de 105o C
Fusible Térmico de Cuba	Fusible térmico de 99o C
Termómetro de Caldera	-
Termómetro de Cuba	-
Bomba de Drenaje	-
Altura máxima de vasos	240
Altura máxima de platos	-
Ruido máximo	67,2 dB



ALL PIPES, CABLES AND HOSES WRITTEN AT DESCRIPTION TAB ARE PROVIDED BY COSTRUCTOR

		Customer:		A/A		BUBBLE INFORMATION	
		Order Date:		DESCRIPTION		NOTE	
		Or. Number:		1. Electrical Supply Connection Cable Pos.		PVC Coated H05 VVF 3x2.5mm, Cable Length=1.5 m	
				2. Draining Pipe (1.6m) Ø28 Outer Ø24 Inner Pos.		Used Only for Free Flow, Drainage Without Pump	
				3. Inlet Male Nozzle threaded End G3/4" for Water Supply		To Flexible Pipe Water Inlet Threaded Female Ends G3/4" (Flexible Pipe Length = 1.5m)	
				4. Rinse Aid Flexible Pipe Pos. (Blue Color)		Outer Diameter Ø6 x 1400mm Length	
				5. Rinse Aid Flexible Pipe Pos. (Crystal Color)		Outer Diameter Ø6 x 1400mm Length	
				6. Control Panel			
Series Description: GLASSWASHER				MACHINE PROPERTIES			
Model Description:	230V	Capacity (LT)	Weight (KG)	Max. Amp./ Phase	Max. Loading (KW)	Voltage (V)	
Model Version:		Boiler	Net	9.15A	2.6	230V-1N-50/60Hz	
Drawing Code:	004.35.00000	Tub	Gross				
Drawing Date:		2.1	27				
Various Information:							



S 1 : Main switch
 S 2 : Start switch
 S 3 : Doors cut off switch
 PS : Pressure switch
 R 1 : Boiler's/Booster's heating element
 R 2 : Tanks heating element
 H 1 : Indicator lamp
 H 2 : Indicator lamp
 Y : Water inlet valve

M 1 : Wash pump motor
 M 2 : Timers motor
 M 3 : Detergent pump motor *
 TF : Thermofuse
 TH : Thermostat
 TS : Timers microswitch
 K : Relay

* OPTIONAL

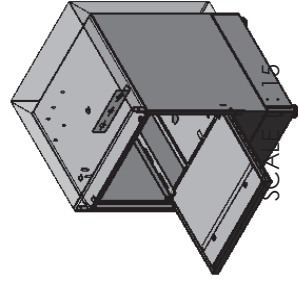
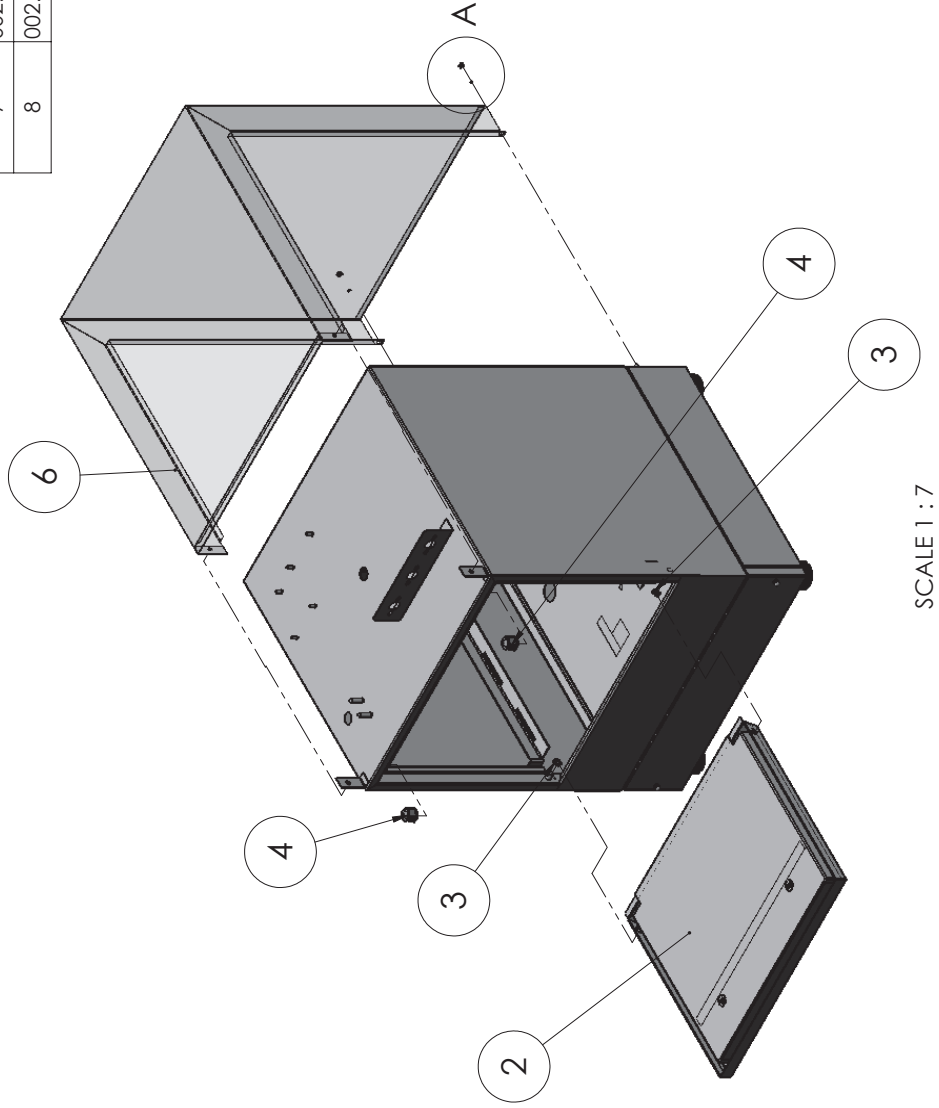
ELECTRICAL DIAGRAM

004.35.00006

220-240 Volt AC 50/60 Hz

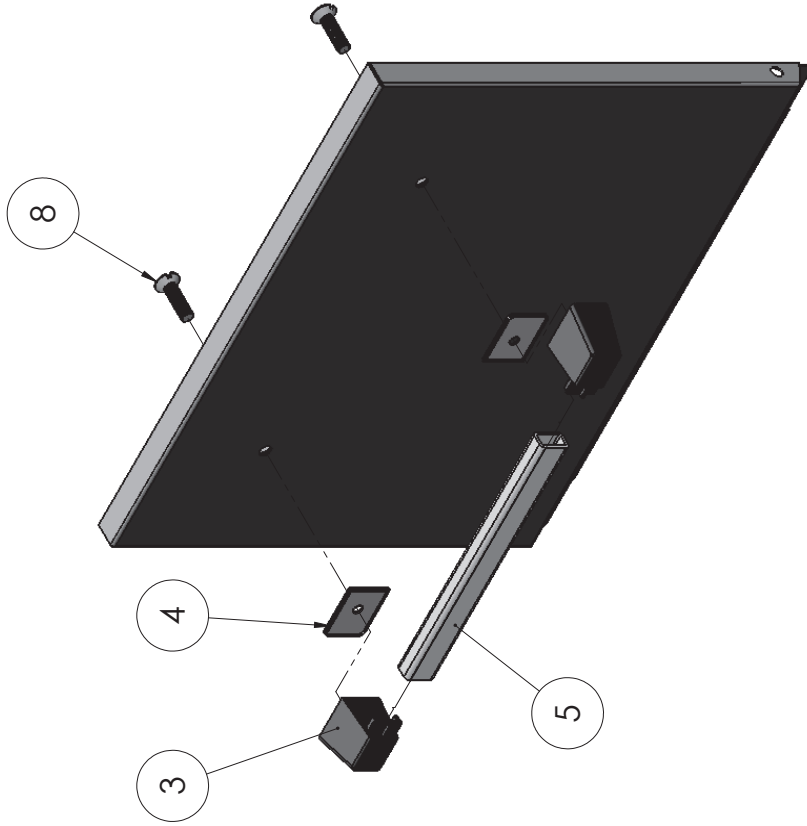
Max 2600 W 12.1 A

ITEM NO.	PART NUMBER	DESCRIPTION	QTY.
2	001.35.00042	DOOR COMPLETE BARLINE 35	1
3	001.00.00045	TEFLON WASHER $\Phi 12,5 \times 8 \times 2,5$	2
4	001.00.00051	DOOR SNAP SET	2
6	001.35.00047	TOP AND BACK INOX COVER B35	1
7	002.00.00140	LOCK WASHER INOX $\Phi 4$	2
8	002.00.00095	INOX NUT M4	2

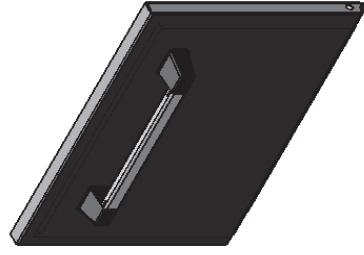


ITEM CODE:	ITEM DESCRIPTION: STEEL STRUCTURE	PAGE: 2	REVISION: 0
SERIES DESCRIPTION: GLASS WASHER	MODEL VERSION:	MODEL CODE: 004.35.00000	

ITEM NO.	PART NUMBER	DESCRIPTION	QTY.
3	001.00.00161	BASE FOR HANDLE	2
4	002.00.00057	DOOR HANDLE PLASTIC FLANGE	2
5	001.00.00021	ALUMINIUM HANDLE B35/EU40	1
8	003.00.00211		2



SCALE 1 : 3



SCALE 1 : 6

ITEM CODE: 001.35.00042

MODEL VERSION:

MODEL DESCRIPTION:

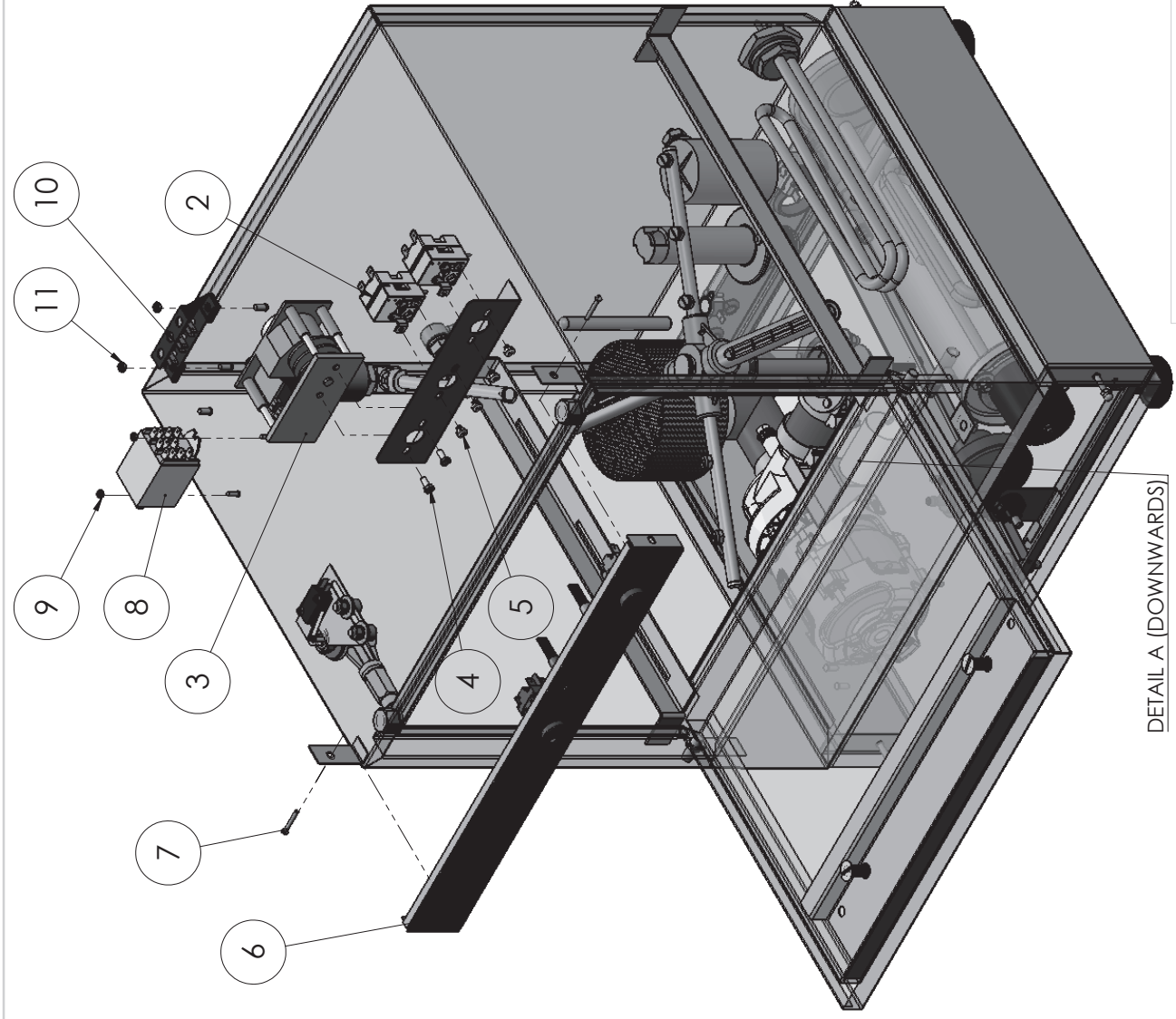
SERIES DESCRIPTION: GLASS WASHER

ITEM DESCRIPTION: DOOR COMPLETE BARL

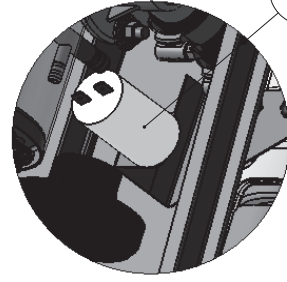
MODEL CODE:004.15.00000

PAGE: 1

REVISION: 0

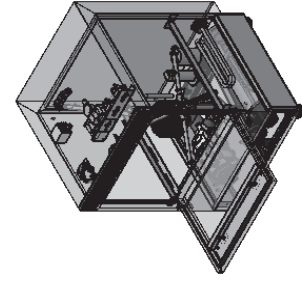


ITEM NO.	PART NUMBER	DESCRIPTION	QTY.
2	003.00.00213	THERMOSTAT 0-90oC 1500mm	2
3	003.00.00448	TIMER 120 SEC. Q.START	1
4	003.00.00046	GALV. BOLT M4X10	2
5	001.00.00076	GALVANIZED MACHINE SCREW M4 X 5	4
6	003.35.00001	DISPLAY PANEL COMPLETE B35	1
7	001.00.00213	INOX SCREW M4X15	2
8	003.00.00082	MICRO RELAY 11 PINS WITH FASTON	1
9	002.00.00090	GALV. NUT M3	2
10	003.00.00392	POWER SUPPLY BOARD THREE CON.	1
11	003.00.00046	GALV. NUT M4	2
12	003.00.00588	CAPACITOR 5MF	1



12

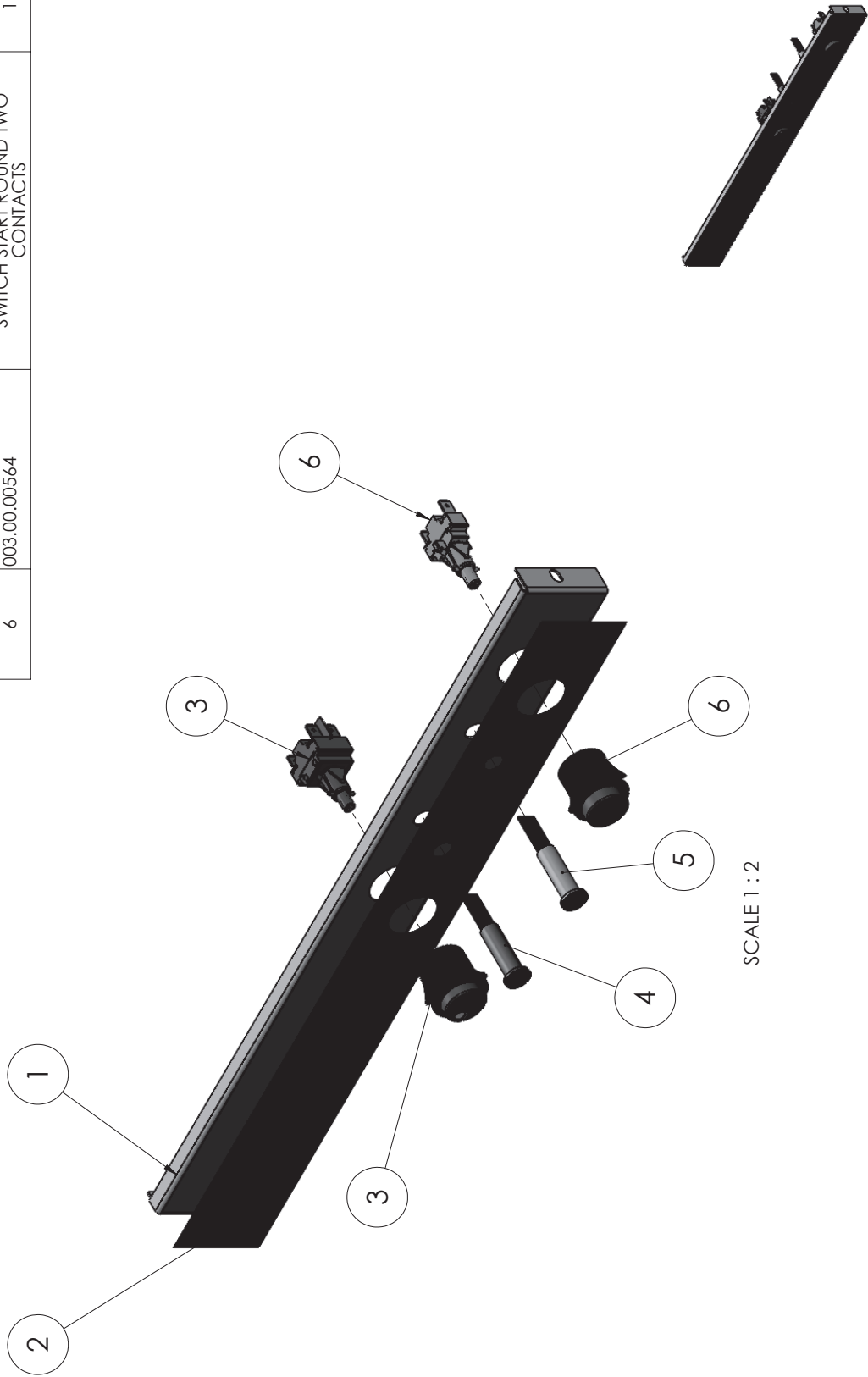
DETAIL A
SCALE 2 : 5



DETAIL A (DOWNWARDS)

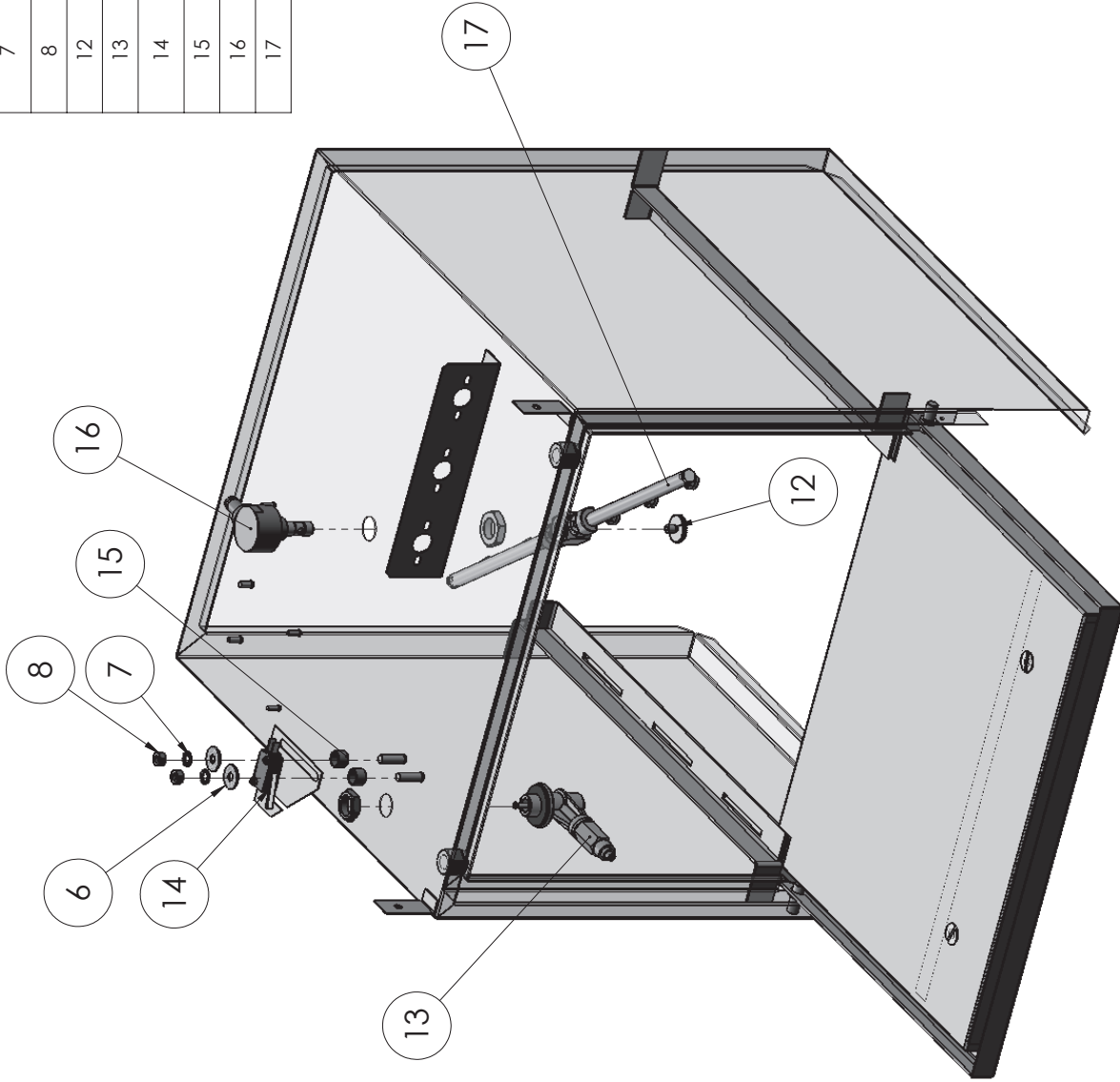
ITEM CODE:	ITEM DESCRIPTION: ELECTRICAL EQUIPMENT	SCALE 1 : 15
MODEL VERSION:	MODEL CODE: 004.35.00000	PAGE: 1
SERIES DESCRIPTION: GLASS WASHER	MODEL DESCRIPTION:	REVISION: 0

ITEM NO.	PART NUMBER	DESCRIPTION	QTY.
1	001.35.00063	SWITCH PANEL INOX FOR B35	1
2	003.35.00000	MEMBRANE FOR B35	1
3	003.00.00563	SWITCH ON-OFF ROUND 4 CONT.	1
4	003.00.00028	INDICATOR ORANGE	1
5	003.00.00176	INDICATOR GREEN	1
6	003.00.00564	SWITCH START ROUND TWO CONTACTS	1



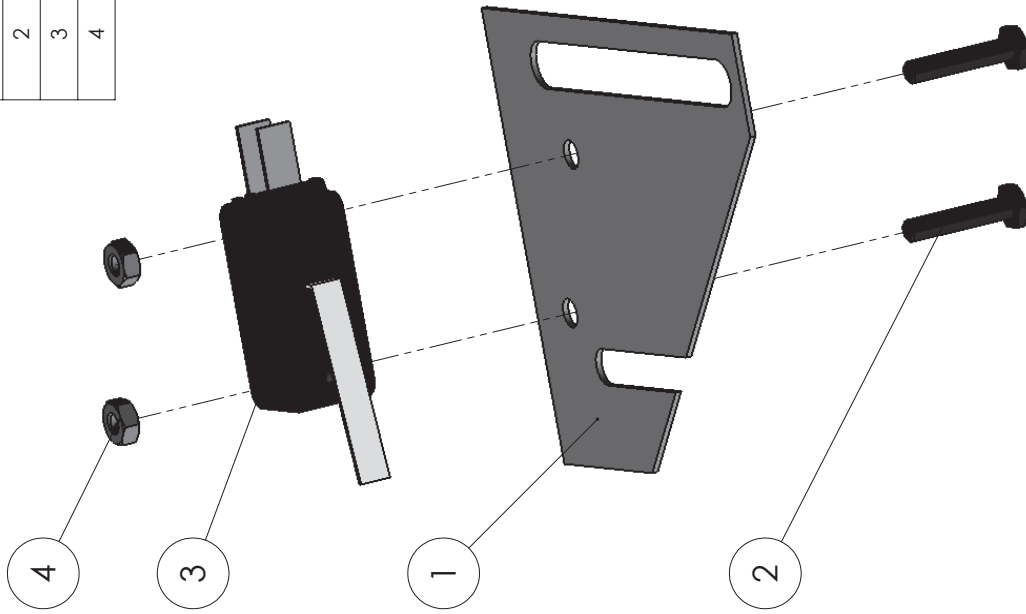
SERIES DESCRIPTION: GLASS WASHER	MODEL DESCRIPTION:	ITEM CODE:003.35.00001	ITEM DESCRIPTION: DISPLAY PANEL COMPLETE
		MODEL VERSION:	MODEL CODE: 004.35.00000
			PAGE: 1
			REVISION: 0

ITEM NO.	PART NUMBER	DESCRIPTION	QTY.
6	003.00.00516	WASHER STEEL $\Phi 6 \times 18$	2
7	001.00.00204	GALVANIZED LOCK WASHER 6.4x11x0.7	2
8	003.00.00041	GALVANIZED NUT M6	2
12	002.50.00004-1	LOCK NUT FOR RINSING ARM	1
13	003.00.00231	DOOR SWITCH MECH. PART	1
14	003.00.00426	DOOR SWITCH ELECTRICAL PART COMPLETE	1
15	003.00.00085	SPACER FOR DOOR SWITCH	2
16	002.35.00029	UPPER RINSING BASE COMPLETE	1
17	002.35.00023	RINSING UPPER GROUP BL35	1

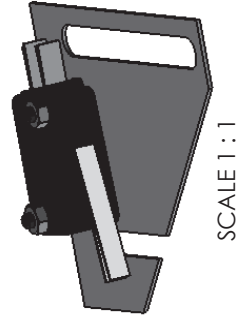


ITEM CODE:	ITEM DESCRIPTION: MECHANICAL EQUIPMENT
MODEL VERSION:	MODEL CODE: 004.35.00000
MODEL DESCRIPTION:	PAGE: 1
SERIES DESCRIPTION: GLASS WASHER	REVISION: 0

ITEM NO.	PART NUMBER	DESCRIPTION	QTY.
1	003.00.00077	BASE INOX FOR THE ELECTRICAL DOOR SWITCH	1
2	003.00.00065	GALV. HEX. BOLT M3X16	2
3	003.00.00069	DOOR MICRO SWITCH	1
4	002.00.00090	GALV. NUT M3	2



SCALE 1.5 : 1



SCALE 1 : 1

ITEM CODE: 003.00.00426

MODEL VERSION:

MODEL DESCRIPTION:

SERIES DESCRIPTION: GLASS WASHER

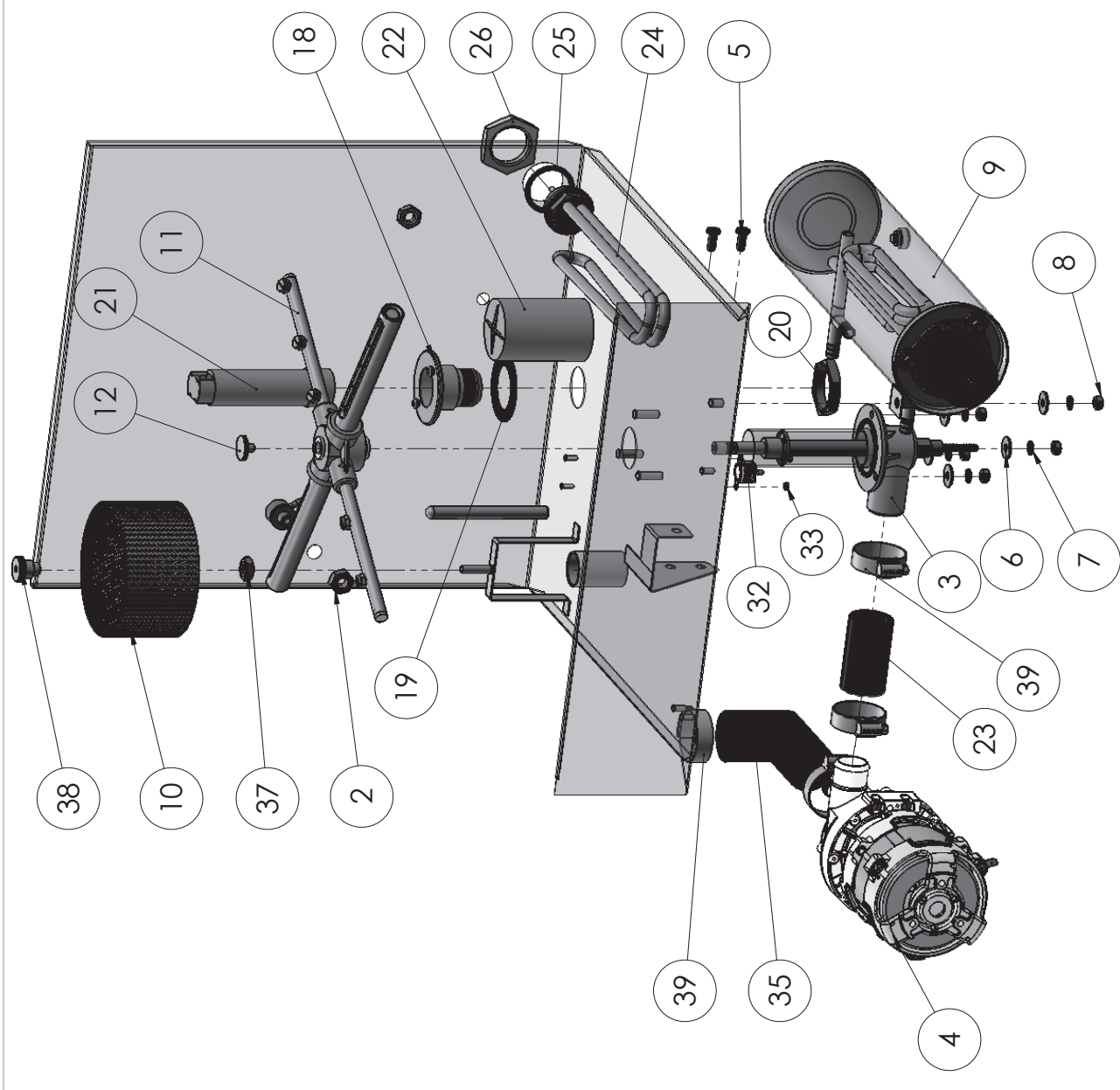
ITEM DESCRIPTION: ELECTRICAL DOOR SWITCH COMPLETE

MODEL CODE: 004.35.00000

PAGE: 1

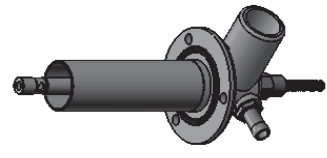
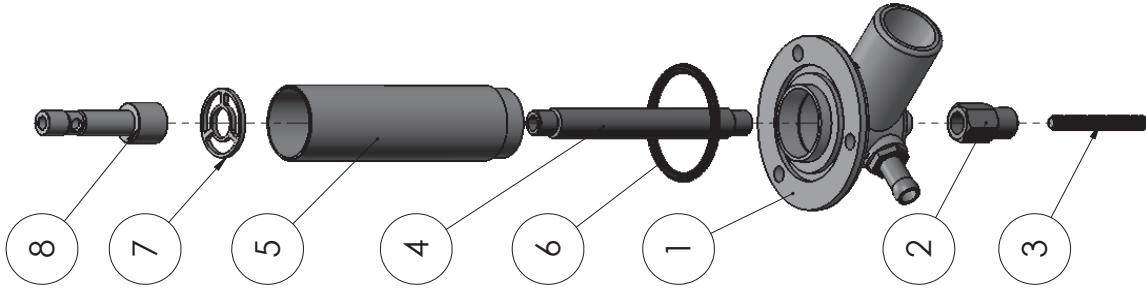
REVISION: 0

ITEM NO.	PART NUMBER	DESCRIPTION	QTY.
2	002.00.00233	DETERGENT TANK INJECTOR	1
3	002.35.00041	LOWER WASH & RINSE BASE COMPLETE	1
4	003.00.00060	PUMP 0,10 HP 50HZ 230V	1
5	003.00.00485	M6 GALVANISED BOLT	2
6	003.00.00516	WASHER STEEL Φ6X18	5
7	001.00.00204	GALVANIZED LOCK WASHER 6,4x1 Tx0,7	5
8	003.00.00041	GALVANIZED NUT M6	5
9	006.35.00001	BOILER WITH HEATING ELEMENT COMPLETE B35	1
10	002.70.00000-1	FILTER IN THE TANK FOR THE PUMP B35	1
11	002.35.00035	WASH AND RINSE CROSS COMPLETE B35	1
12	002.50.00004-1	LOCK NUT FOR RINSING ARM	1
18	002.00.00257	DRAIN AND OVERFLOW VALVE PLASTIC BASE	1
19	002.00.00238	RUBBER GASKET 35X55X1	1
20	002.00.00133	BRONZE NUT M36	1
21	002.30.00007	DRAIN AND OVERFLOW VALVE PLASTIC PART	1
22	003.00.00552	PRESSOSTAT CHAMBER B35	1
23	002.35.00025	WASH PUMP HOSE BL35 Φ28	1
24	003.30.00000	HEATING ELEMENT TANK BL	1
25	002.00.00096	O-RING 31.5 X 3.5	1
26	002.00.00086	NUT 1"	1
32	003.00.00168	TANK THERMOFUSE 90oC	1
33	002.00.00090	GALV. NUT M3	2
35	002..35.00048	PUMP INLET HOSE	1
37	001.00.00093	M10 NUT INOX	1
38	001.00.00017	FILTER RETAINING NUT	1
39	002.00.00048	CLAMP 25-40	4



ITEM CODE:	ITEM DESCRIPTION: MECHANICAL EQUIPMENT
MODEL VERSION:	MODEL CODE: 004.35.00000
MODEL DESCRIPTION:	PAGE: 2
SERIES DESCRIPTION: GLASS WASHER	REVISION: 0

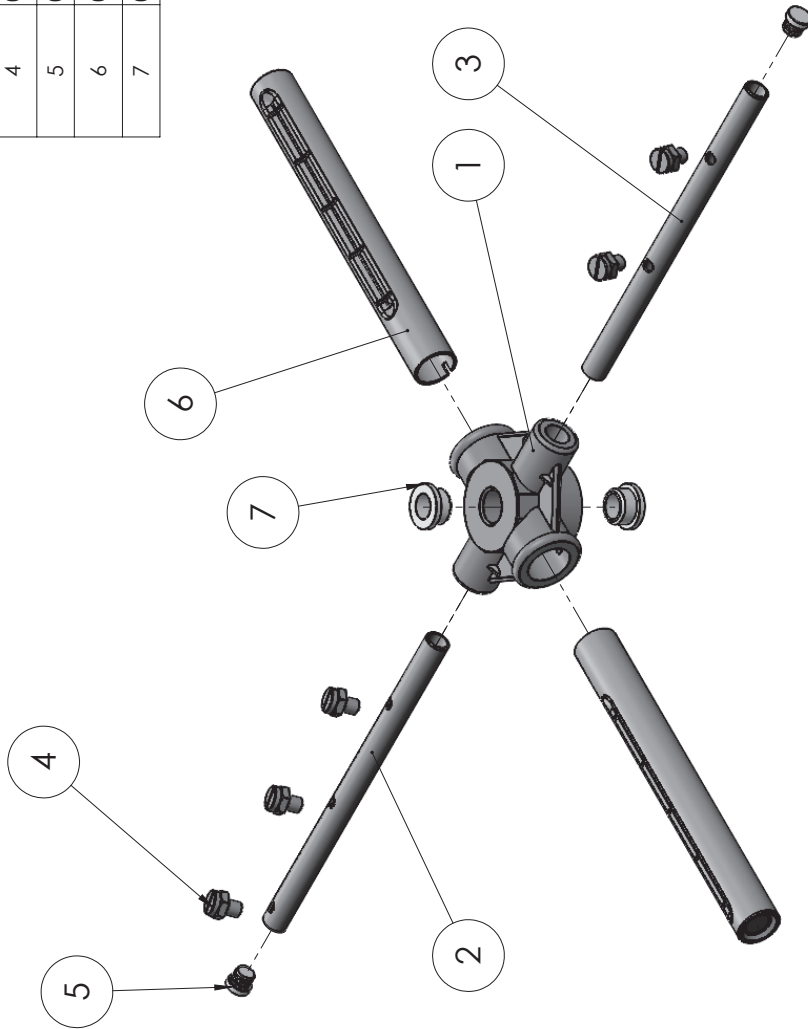
ITEM NO.	PART NUMBER	DESCRIPTION	QTY.
1	002.35.00019	BOTTOM PLASTIC BASE B35	1
2	002.35.00024	HEXAGON BRONZE SPACER 4X25 M6	1
3	002.35.00046	BRONZE SHAFT M6X45	1
4	002.35.00015	BRONZE SHAFT Φ 12X102 M10 B35	1
5	002.35.00007	WASHING BASE INOX PIPE Φ 30	1
6	002.00.00092	ORING Φ 40X3,5	1
7	002.35.00006	INOX ROUND SPACER Φ 30	1
8	002.35.00016	INOX AXLE Φ 16 M6	1



SCALE 1 : 3

ITEM CODE: 002.35.00041	ITEM DESCRIPTION: LOWER WASH & RINSE BASE COMPLETE
MODEL VERSION:	MODEL CODE: 004.35.00000
SERIES DESCRIPTION: GLASS WASHER	PAGE: 1
MODEL DESCRIPTION:	REVISION: 0

ITEM NO.	PART NUMBER	DESCRIPTION	QTY.
1	002.35.00018	RINSING-WASHING GROUP CROSS BL-EU	1
2	002.35.00022-B	RINSING ARM-B	1
3	002.35.00022-A	RINSING ARM-A	1
4	002.11.00008	SPRAYER FOR RINSING ARM BL,EU,VE,KN,1500	5
5	002.35.00047	CAP FOR RINSE ARMS	2
6	002.35.00043	WASHING ARM BL 35 INOX Ø18 X 1 X 157 mm	2
7	002.35.00026	TEFLON Ø18 X 10	2

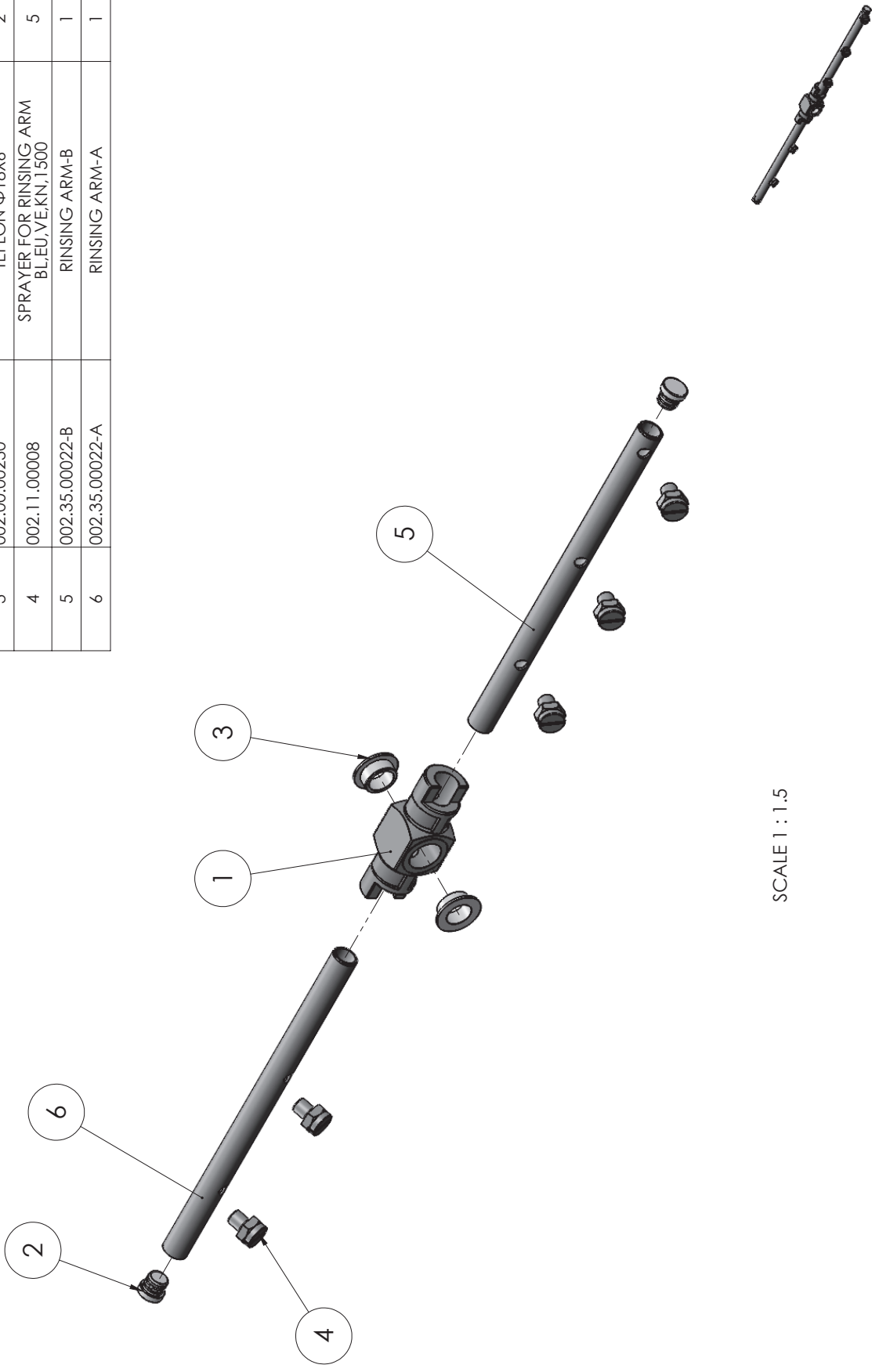


SCALE 1 : 2



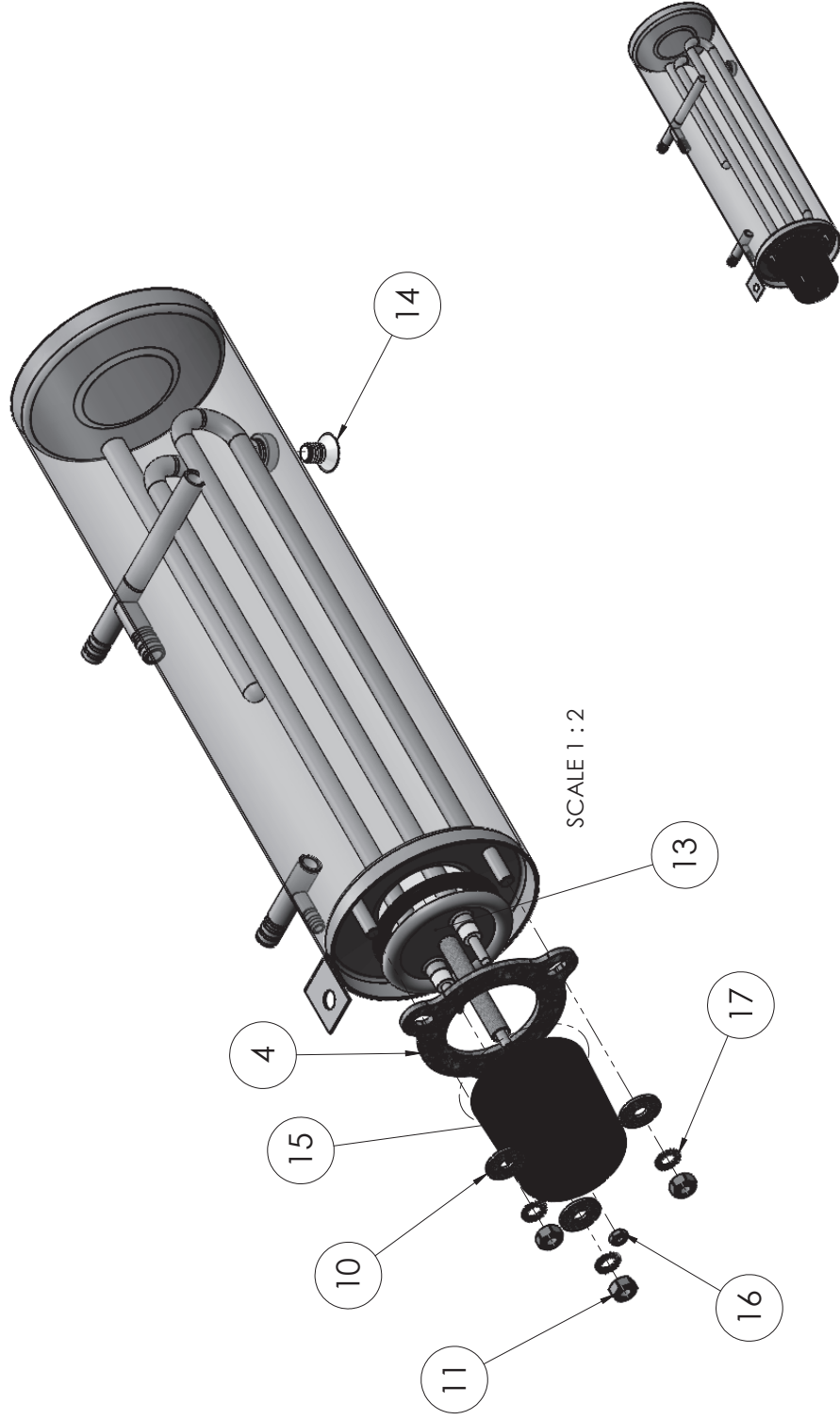
ITEM CODE: 002.35.00035	ITEM DESCRIPTION: RINSING AND WASHING CROSS BL-EU
MODEL VERSION:	MODEL CODE: 004.35.00000
MODEL DESCRIPTION:	PAGE: 1
SERIES DESCRIPTION: GLASS WASHER	REVISION: 0

ITEM NO.	PART NUMBER	DESCRIPTION	QTY.
1	002.50.00025	PLASTIC BASE FOR RINSING ARMS	1
2	002.35.00047	CAP FOR RINSE ARMS	2
3	002.00.00230	TEFLON Φ 18X6	2
4	002.11.00008	SPRAYER FOR RINSING ARM BLEU,VE,KN,1500	5
5	002.35.00022-B	RINSING ARM-B	1
6	002.35.00022-A	RINSING ARM-A	1



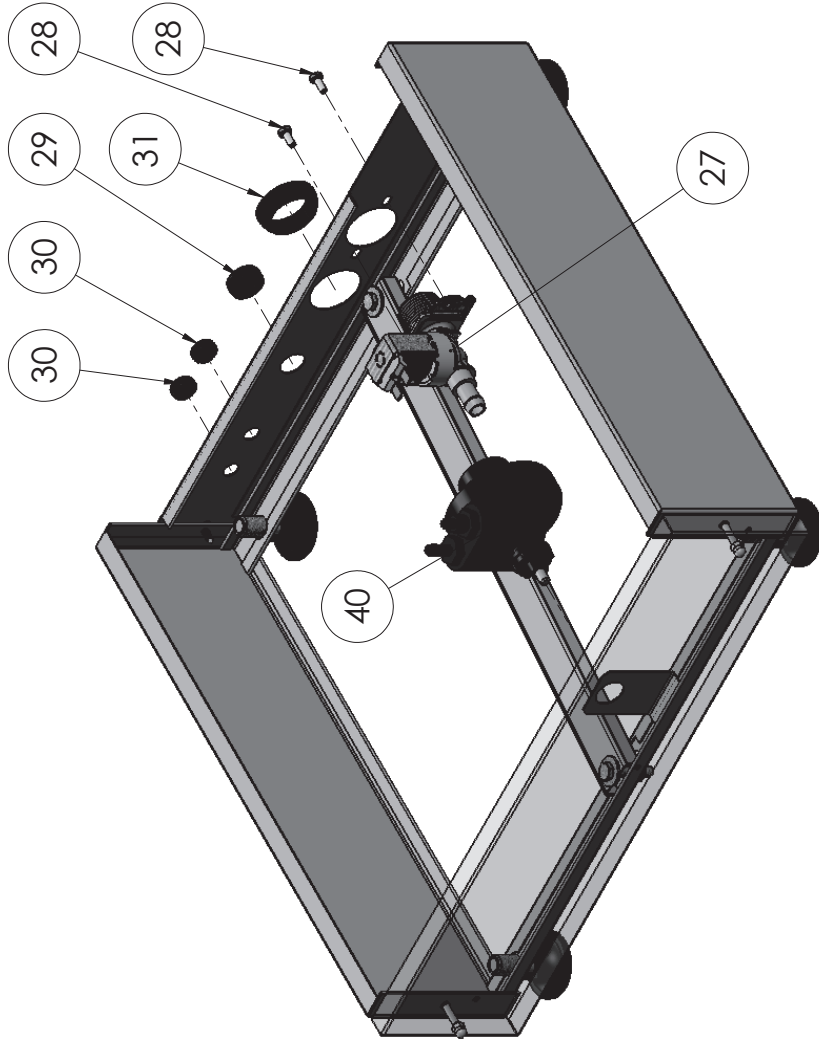
SERIES DESCRIPTION: GLASS WASHER	MODEL DESCRIPTION:	ITEM CODE: 002.35.00023	ITEM DESCRIPTION: RINSING UPPER GROUP BL35
		MODEL VERSION:	MODEL CODE: 004.35.00000
			PAGE: 1
			REVISION: 0

ITEM NO.	PART NUMBER	DESCRIPTION	QTY.
4	003.00.00260	BOILER ELEMENT FITTING BASE	1
10	003.00.00516	WASHER STEEL Ø6X18	3
11	003.00.00041	GALVANIZED NUT M6	3
13	003.35.00009	HEATING ELEMENT COMPLETE B35	1
14	003.00.00258	STAINLESS CAP SCREW M8X12	1
15	003.00.00004	HEATER ELEMENT COVER	1
16	003.00.00046	GALV. NUT M4	1
17	001.00.00204	GALVANIZED LOCK WASHER 6.4x11x0.7	3



ITEM CODE: 006.35.00001	ITEM DESCRIPTION: BOILER WITH HEATING ELEMENT COMPLETE
MODEL VERSION:	MODEL CODE: 004.35.00000
SERIES DESCRIPTION: GLASS WASHER	PAGE: 1
	REVISION: 0

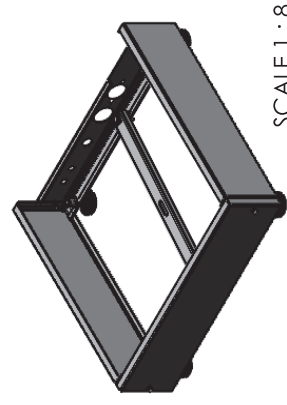
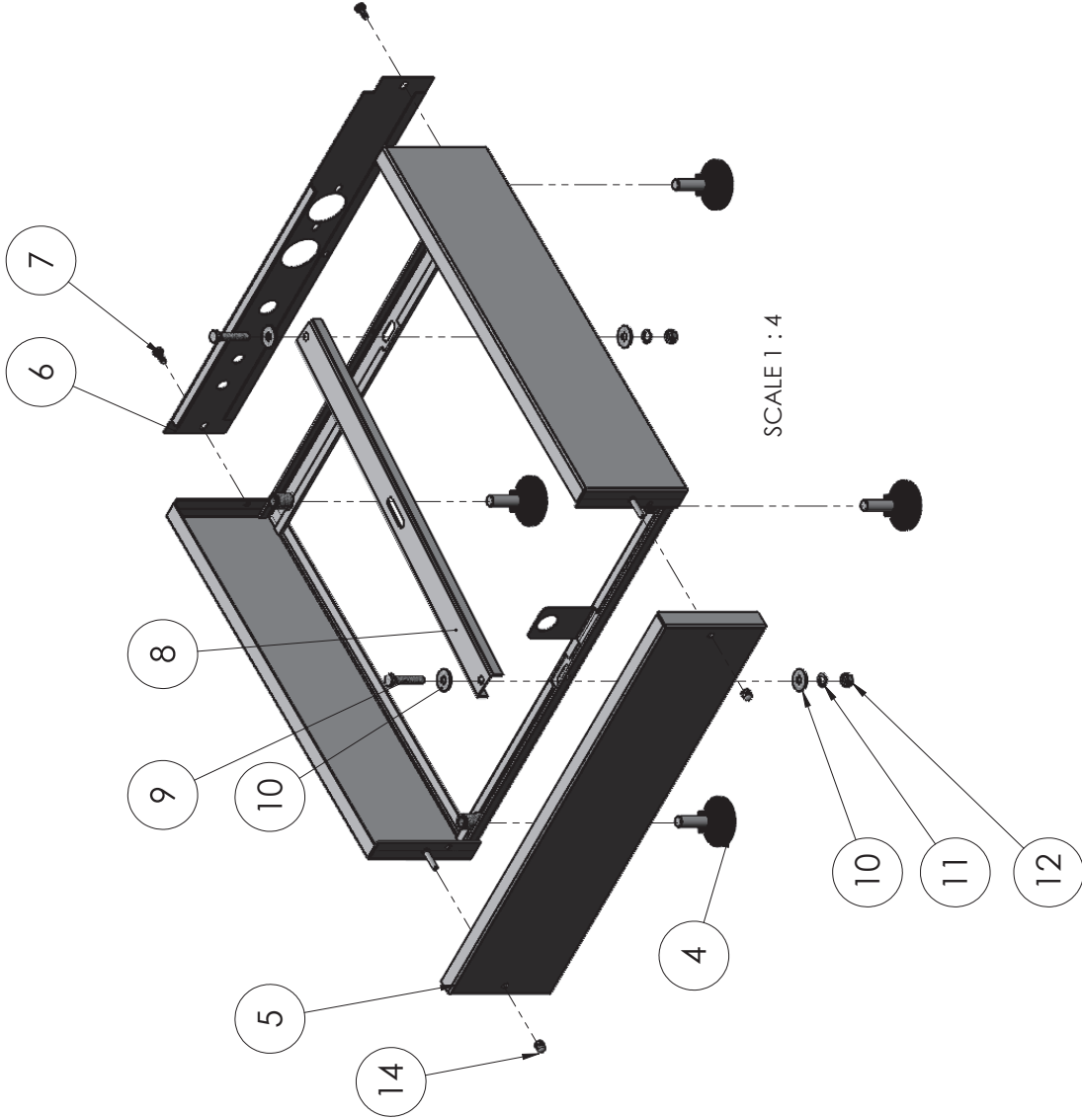
ITEM NO.	PART NUMBER	DESCRIPTION	QTY.
27	003.00.00031	WATER INPUT VALVE	1
28	003.00.00278	GALV. BOLT M4X10	2
29	003.00.00347	RUBBER CABLE PROTECTION N.01	1
30	003.00.00025	CABLE RUBBER PROTECTOR	2
31	003.00.00466	PIPE RUBBER PROTECTOR	1
40	003.00.00268	HYDRAULIC RINSE AID PUMP	1



SCALE 1 : 3

ITEM CODE:	ITEM DESCRIPTION: MECHANICAL EQUIPMENT
MODEL VERSION:	MODEL CODE: 004.35.00000
MODEL DESCRIPTION:	PAGE: 3
SERIES DESCRIPTION: GLASS WASHER	REVISION: 0

ITEM NO.	PART NUMBER	DESCRIPTION	QTY.
4	001.00.00016	SMALL BLACK FOOT V500	4
5	001.35.00014	BASE INOX FRONT COVER B35	1
6	001.35.00017	BASE INOX BACK COVER B35	1
7	003.00.00309	INOX TAPPING SCREW $\Phi 4,2 \times 13$	2
8	001.35.00018	INOX STIFFENING PART B35	1
9	003.00.00286	GALVANIZED HEX BOLT M6X25	2
10	003.00.00516	WASHER STEEL $\Phi 6 \times 18$	4
11	001.00.00204	GALVANIZED LOCK WASHER 6,4x11x0,7	2
12	003.00.00041	GALVANIZED NUT M6	2
13	001.35.00033	BASE FOR RINSE AID VALVE	1
14	001.00.00117	DOME NUT M4	2



ITEM CODE:	ITEM DESCRIPTION: STEEL STRUCTURE (BASE)
MODEL VERSION:	MODEL CODE: 004.35.00000
MODEL DESCRIPTION:	PAGE: 1
SERIES DESCRIPTION: GLASS WASHER	REVISION: 0

